

# CRAFTSMAN®

INSTRUCTION MANUAL | GUIDE D'UTILISATION | MANUAL DE INSTRUCCIONES

## **Electric Pressure Washer** **Laveuse à pression électrique** **Lavadora a presión eléctrica**

**CMEPW1700**



IF YOU HAVE QUESTIONS OR COMMENTS, CONTACT US.  
POUR TOUTE QUESTION OU TOUT COMMENTAIRE, NOUS CONTACTER.  
SI TIENE DUDAS O COMENTARIOS, CONTÁCTENOS.

**1-888-331-4569 WWW.CRAFTSMAN.COM**

---

English (**original instructions**)

1

---

Français (*traduction de la notice d'instructions originale*)

10

---

Español (*traducido de las instrucciones originales*)

19

---

## Definitions: Safety Alert Symbols and Words

This instruction manual uses the following safety alert symbols and words to alert you to hazardous situations and your risk of personal injury or property damage.





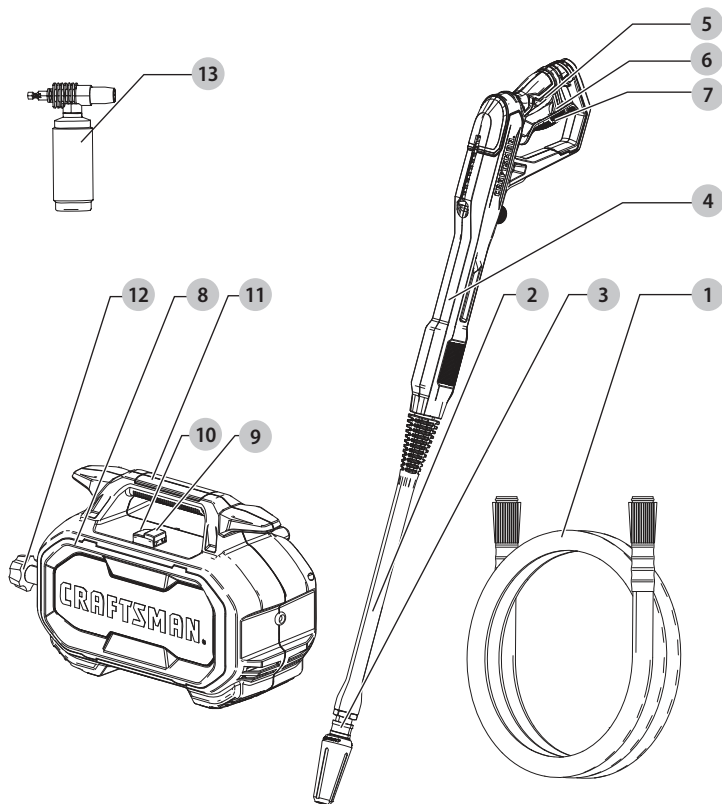
-  **DANGER:** Indicates an imminently hazardous situation which, if not avoided, **will** result in **death or serious injury**.
-  **WARNING:** Indicates a potentially hazardous situation which, if not avoided, **could** result in **death or serious injury**.
-  **CAUTION:** Indicates a potentially hazardous situation which, if not avoided, **may** result in **minor or moderate injury**.
-  (Used without word) Indicates a safety related message.
- NOTICE:** Indicates a practice **not related to personal injury** which, if not avoided, **may** result in **property damage**.

Fig. A



- 1 High pressure hose
- 2 Spray wand
- 3 Quick connect collar
- 4 Spray handle
- 5 Spray handle grip
- 6 Trigger lock-off
- 7 Trigger
- 8 Pressure washer unit
- 9 On button
- 10 Off button
- 11 Handle
- 12 Garden hose water intake
- 13 Soap bottle



**WARNING:** Read all safety warnings and all instructions. Failure to follow the warnings and instructions may result in electric shock, fire and/or serious injury.



**WARNING:** To reduce the risk of injury, read the instruction manual.

If you have any questions or comments about this or any product, call CRAFTSMAN toll free at: 1-888-331-4569.

## Electric Pressure Washer CMEPW1700

### IMPORTANT SAFETY INSTRUCTIONS



**WARNING:** When using this appliance, basic safety precautions should always be followed including the following:

- Read all the instructions before using the product.
- To reduce the risk of injury, close supervision is necessary when a product is used near children.
- **Know how to stop the product and bleed pressures quickly.** Be thoroughly familiar with the controls.
- Stay alert – watch what you are doing.
- Do not operate the product when fatigued or under the influence of alcohol or drugs.
- Keep operating area clear of all persons.
- **Do not overreach or stand on unstable support.** Keep good footing and balance at all times.
- Follow the maintenance instructions specified in the manual.
- **This product is provided with a ground fault circuit interrupter built into the power cord plug. If replacement of the plug or cord is needed, use only identical replacement parts.**



**CAUTION:** risk of injection or injury – do not direct discharge stream at persons."

### SAVE THESE INSTRUCTIONS



**WARNING:** Please read this entire manual before attempting to assemble, operate or install the product.



**WARNING:** This unit was designed for specific applications. It should not be modified and/or used for any application other than that which it was designed.

**NOTICE:** Always store your pressure washer in a location where the temperature will not fall below 4 °C. freeze damage is not covered by the warranty.



**WARNING:** This product and its exhaust can expose you to chemicals including lead and lead compounds, and carbon monoxide, which are known to the State of California to cause cancer and birth defects or other reproductive harm. For more information go to [www.P65Warnings.ca.gov](http://www.P65Warnings.ca.gov).

1. Do not touch plug or outlet with wet hands.
2. **Avoid accidental starts.** Move switch on unit to OFF position before connecting or disconnecting cord to electrical outlets.
3. Water spray must never be directed towards any electric wiring or directly towards the pressure washer machine itself or fatal electric shock may occur.
4. **Never carry your pressure washer by the cord.** Do not pull on the cord to disconnect from the outlet.
5. To prevent damage, the cord should not be crushed, placed next to sharp objects or near a heat source.
6. **Check power cords before using.** Damaged cords can reduce performance of pressure washer or cause a fatal electrical shock
7. **The narrow pin point stream is very powerful.** It is not recommended for use on painted surfaces, wood surfaces or items attached with an adhesive backing.
8. Keep operating area clear of all persons and animals.
9. Always use both hands when operating pressure washer to maintain complete control of the wand.
10. **Do not touch nozzle or water spray while operating.** Never place hands in front of nozzle.
11. **Wear safety goggles while operating.** Wear protective clothing and footwear to protect against accidental spraying.
12. Disconnect power plug from the outlet when not in use and prior to the **detaching** of the high pressure hose.
13. **Never tie knots or kink the high pressure hose as damage could result. Inspect the high-pressure hose regularly. Replace the hose immediately if it is damaged, worn or shows any signs of cracks, bubbles, pinholes, or other leakage.** Never grasp a high-pressure hose that is leaking or damaged.
14. **Do not operate or store this product in temperatures below 4 °C.** Freeze damage is not covered by the warranty.
15. **Carefully observe all chemical instructions and warnings before using. Use only approved pressure washer cleaners. Do not use bleach, chlorine, or any cleaners containing acids. Always follow manufacturer's label recommendations for proper use of cleaners.** Always protect eyes, skin and respiratory system from cleaners.
16. **The pressure washer should not be used in areas where gas vapors may be present.** An electric spark could cause an explosion or fire.
17. To minimize the amount of water getting into the pressure washer, the unit should be placed as far as possible from the cleaning site during operation.
18. To prevent accidental discharge, the spray gun should be secured by locking the trigger when not in use.
19. To allow free air circulation, the pressure washer should NOT be covered during operation.
20. **Never touch, grasp or attempt to cover a pinhole or similar water leak on the high-pressure hose.** The stream of water IS under high pressure and WILL penetrate skin.
21. **Use only hoses and accessories rated for pressure higher than your pressure washer's psi.** Never use with any other manufacturer's accessories or components.
22. Never defeat the safety features of this product.


23. Do not operate machine with missing, broken or unauthorised parts.
24. Never spray flammable liquids or use pressure washer in areas containing combustible dust, liquid, or vapors.
25. DO NOT use an extension cord with this pressure washer.

## GROUND FAULT CIRCUIT INTERRUPTER PROTECTION

This pressure washer is provided with a ground-fault circuit-interrupter (GFCI) built into the plug of the power-supply cord. This device provides additional protection from the risk of electric shock. Should replacement of the plug or cord become necessary, use only identical replacement parts that include GFCI protection.

## EXTENSION CORDS

Use only extension cords that are intended for outdoor use. These extension cords are identified by a marking "Acceptable for use with outdoor appliances; store indoors while not in use." Use only extension cords having an electrical rating not less than the rating of the product. Do not use damaged extension cords. Examine extension cord before using and replace if damaged. Do not abuse extension cord and do not yank on any cord to disconnect. Keep cord away from heat and sharp edges. Always disconnect the extension cord from the receptacle before disconnecting the product from the extension cord.

 **WARNING:** To reduce the risk of electrocution, keep all connections dry and OFF the ground. Do not touch plug with wet hands.


## SERVICING OF A DOUBLE-INSULATED APPLIANCE

In a double-insulated product, two systems of insulation are provided instead of grounding. No grounding means is provided on a double-insulated product, nor should a means for grounding be added to the product. Servicing a double-insulated product requires extreme care and knowledge of the system, and should be done only by qualified service personnel. Replacement parts for a double-insulated product must be identical to the parts they replace. A double-insulated product is marked with the words "DOUBLE INSULATION" or "DOUBLE INSULATED." The symbol may also be marked on the product.




## Additional Safety Information

 **WARNING:** Never modify the power tool or any part of it. Damage or personal injury could result.


 **WARNING: ALWAYS** use safety glasses. Everyday eyeglasses are NOT safety glasses. Also use face or dust mask if operation is dusty. ALWAYS WEAR CERTIFIED SAFETY EQUIPMENT:

- ANSI Z87.1 eye protection (CAN/CSA Z94.3),
- ANSI S12.6 (S3.19) hearing protection,
- NIOSH/OSHA/MSHA respiratory protection.

 **WARNING:** Some dust contains chemicals known to State of California to cause cancer, birth defects or other reproductive harm. Some examples of these chemicals are:

- compounds in fertilizers,
- compounds in insecticides, herbicides and pesticides,
- arsenic and chromium from chemically treated lumber.

To reduce your exposure to these chemicals, wear approved safety equipment such as dust masks that are specially designed to filter out microscopic particles.

 **WARNING:** Use of this tool can generate and/or disperse dust, which may cause serious and permanent respiratory or other injury. Always use NIOSH/OSHA approved respiratory protection appropriate for the dust exposure. Direct particles away from face and body.

 **WARNING: Always wear proper personal hearing protection that conforms to ANSI S12.6 (S3.19) during use.** Under some conditions and duration of use, noise from this product may contribute to hearing loss.

- **Air vents often cover moving parts and should be avoided.** Loose clothes, jewelry or long hair can be caught in moving parts.
- **An extension cord must have adequate wire size (AWG or American Wire Gauge) for safety.** The smaller the gauge number of the wire, the greater the capacity of the cable, that is, 16 gauge has more capacity than 18 gauge. An oversized cord will cause a drop in line voltage resulting in loss of power and overheating. When using more than one extension to make up the total length, be sure each individual extension contains at least the minimum wire size. The following table shows the correct size to use depending on cord length and nameplate ampere rating. If in doubt, use the next heavier gauge. The lower the gauge number, the heavier the cord.

**Minimum Gauge for Cord Sets**

Volts	Total Length of Cord in Feet (meters)					
	120 V	25 (7.6)	50 (15.2)	100 (30.5)	150 (45.7)	
240 V	50 (15.2)	100 (30.5)	200 (61.0)	300 (91.4)		
Ampere Rating		American Wire Gauge				
More Than	Not More Than					
0	6	18	16	16	14	
6	10	18	16	14	12	
10	12	16	16	14	12	
12	16	14	12	Not Recommended		

The label on your tool may include the following symbols. The symbols and their definitions are as follows:

- V ..... volts
- Hz ..... hertz
- min ..... minutes
- or DC..... direct current
- Ⓜ ..... Class I Construction (grounded)
- .../min..... per minute
- BPM..... beats per minute
- IPM..... impacts per minute
- RPM..... revolutions per minute
- sfpm ..... surface feet per minute
- SPM..... strokes per minute
- OPM..... oscillations per minute
- A ..... amperes
- W ..... watts
- ~ or AC..... alternating current
- ⏚ or AC/DC... alternating or direct current
- Ⓜ ..... Class II Construction (double insulated)
- n<sub>0</sub> ..... no load speed
- n ..... rated speed
- Ⓜ ..... earthing terminal
- ⚠ ..... safety alert symbol
- ⚠ ..... visible radiation
- ⚠ ..... avoid staring at light
- Ⓜ ..... wear respiratory protection
- Ⓜ ..... wear eye protection
- Ⓜ ..... wear hearing protection
- Ⓜ ..... read all documentation
- IPXX ..... IP symbol

**Motor**

Be sure your power supply agrees with the nameplate marking. Voltage decrease of more than 10% will cause loss of power and overheating. These tools are factory tested; if this tool does not operate, check power supply.

**Intended Use**

This pressure washer is intended for cleaning boats, cars, decks, driveways, grills, house siding, motorcycles, patios, and outdoor furniture.

**DO NOT** let children come into contact with the tool. Supervision is required when inexperienced operators use this tool.

**ASSEMBLY AND ADJUSTMENTS**

**⚠ WARNING:** To reduce the risk of serious personal injury, turn unit off and disconnect it from power source before making any adjustments or removing/installing attachments or accessories. An accidental start-up can cause injury.

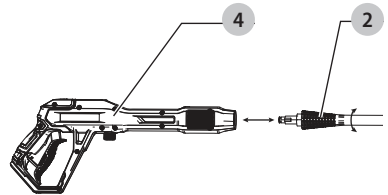
Specifications	
Maximum Pounds per Square Inch	1,700
Rated Gallons per Minute*	1.2
Electrical Requirements	120V <sub>AC</sub> ~60Hz, 13A
Electrical Cord	35 ft. (10.6 m)
High Pressure Hose	20 ft. (6.1 m)
Minimum Amp Source	15A
Pressure of Inlet Water*	20-100 PSI
Inlet Water	Cold Tap
Soap Consumption Rate	10% MAX

\*Water flow and maximum pressure ratings determined in accordance with CETA CPC-100.

**Attaching Spray Wand (Fig. B)**

To connect the spray wand 2 to the spray handle 4, insert the end of the spray wand inside the spray handle and turn the spray wand counterclockwise to lock it into position.

Fig. B



**Attaching High Pressure Hose (Fig. C, D)**

**NOTICE:** Never pull high pressure hose to move pressure washer. This could damage hose and/or pump outlet.

To connect the high pressure hose 1 to the spray handle 4, screw the hose collar 14 onto the spray handle inlet coupler 15.

To connect the high pressure hose to the pressure washer unit 8, screw the hose collar 14 onto the high pressure water outlet 16.

Fig. C

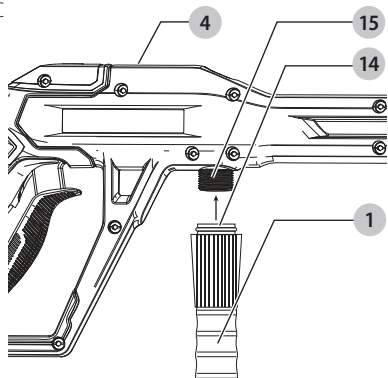
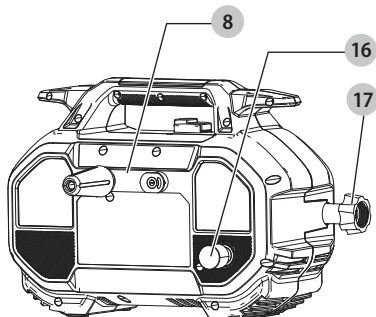


Fig. D



## Attaching Garden Hose (Fig. A, D)

To connect a garden hose to the pressure washer unit **8**, place the end of the garden hose inside the water intake **17**. Tighten the garden hose by hand.

Always disconnect the garden hose after usage.

**NOTE:** Before connecting the garden hose to the pressure washer unit, run water through the garden hose for thirty seconds to clear any debris from the mouth of the garden hose.

## Attaching Nozzles (Fig. E)

**! DANGER:** Risk of fluid injection. Do not direct discharge stream toward persons, unprotected skin, eyes or any pets or animals. Serious injury will occur.

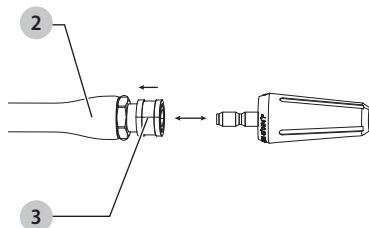
**! WARNING:** Flying objects could cause risk of serious injury. **DO NOT** attempt to change nozzles while pressure washer is running. Turn pressure washer unit **OFF** before changing nozzles.

To connect the 40° white nozzle or the black turbo nozzle to the spray wand **2**, pull the quick connect collar **3** toward the spray wand and insert the appropriate nozzle. Release the quick connect collar to lock the nozzle in place.

To ensure nozzle is locked into place, give the nozzle a firm tug after the quick connect collar has locked into place.

Spray Tip	Application
40° White Nozzle	For gentle wide area cleaning.
Black Turbo Nozzle	For abrasive cleaning.

Fig. E



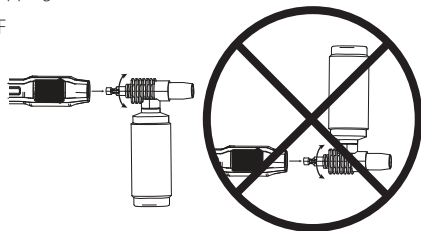
## Attaching Soap Bottle (Fig. F)

To connect the soap bottle **13** to the spray handle **2**, insert the end of the soap bottle inside the spray handle and turn the soap bottle counterclockwise to lock it into position.

**NOTE:** The wand and soap bottle cannot be installed at the same time.

**NOTE:** The soap bottle should be positioned underneath the barrel of the spray handle. Do not position the soap bottle above the barrel of the plastic gun as this will lead to soap dripping on the barrel.

Fig. F



## OPERATION

**! WARNING:** To reduce the risk of serious personal injury, turn unit off and disconnect it from power source before making any adjustments or removing/installing attachments or accessories. An accidental start-up can cause injury.

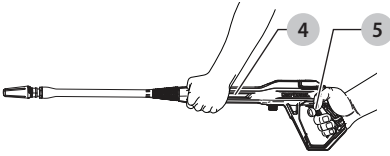
## Proper Hand Position (Fig. G)

**! WARNING:** To reduce the risk of serious personal injury, **ALWAYS** use proper hand position as shown.

**! WARNING:** To reduce the risk of serious personal injury, **ALWAYS** hold securely in anticipation of a sudden reaction.

Proper hand position requires one hand on the spray handle grip **5**. Hold the spray wand **4** securely with other hand.

Fig. G



## Test Ground-Fault Circuit-Interrupter (GFCI) Before Each Use

This pressure washer is provided with a ground-fault circuit-interrupter (GFCI) built into the plug of the power-supply cord. This device provides additional protection from the risk of electric shock.

1. Plug the Ground Fault Circuit Interrupter (GFCI) into a working grounded outlet.
2. The indicator at the top of the GFCI should turn green when product is ready to use.
3. Press the "TEST" button (bottom). The green indicator should disappear.
4. Press "RESET" button for use. Do not use if the above test fails.

## Pressure Washing

### Preparing Surface for Cleaning

- Remove objects from the area which could create a hazard such as children's toys or outdoor furniture.
- Ensure that all doors and windows are closed tight. Protect all plants and trees in the adjacent area with a drop cloth ensuring that they will not be harmed by any overspray.
- Pre-rinse cleaning area with fresh water.
- Use only detergents formulated for pressure washers.
- Always test detergent in an inconspicuous area before use.

### Preparing Pressure Washer Unit for Use (Fig. A)

**⚠ DANGER:** Risk of fluid injection and laceration.  
When using the high-pressure setting, DO NOT allow the high-pressure spray to come in contact with unprotected skin, eyes, or with any pets or animals. Serious injury will occur.

**⚠ CAUTION:** Before operation:

- Connect the water supply to the pressure washer. For instructions on connecting the water supply to the pressure washer, please refer to **Attaching Garden Hose under Assembly and Adjustments**.
- Connect the high pressure hose to the pressure washer and the pressure wand. For instructions on connecting the high pressure hose to the pressure washer and pressure wand, please refer to **Attaching High Pressure Hose under Assembly and Adjustments**.

### Preparing Spray Handle

**IMPORTANT:** Before turning on the pressure washer unit, disengage the trigger lock-off **6** and squeeze the trigger **7**. Hold the trigger for 30 seconds to purge the system of air. If air is still found in the water stream, continue to run water through the spray handle.

1. Disengage the trigger lock-off **6**.
2. Squeeze the trigger **7**.

### Cleaning a Surface

- To start the pressure washer, press the ON button **9**.
- The best angle for spraying water against a cleaning surface is 45°. Spraying head on tends to cause dirt particles to imbed in the surface. When working on vertical surfaces, it is best to apply detergent starting at the bottom and working upwards which will prevent the detergent from sliding down and causing streaks.

To disengage the spray handle, release the trigger.

**NOTE:** Excessive pump pressure may be the result of a clogged nozzle or brass coupling. Always turn OFF the pressure washer unit and unplug the unit before attempting to unclog a nozzle or brass coupler.

### Moving the Pressure Washer (Fig. A)

1. Shut OFF the pressure washer unit **8** and turn OFF the water supply.
2. Point the spray wand **2** in a safe direction and pull the trigger **7** to release remaining water pressure.
3. When the spray wand is completely empty, carry the pressure washer by the handle **11**.

### Shutdown (Fig. A)

1. To stop the pressure washer, press the OFF button **10** and unplug the cord from the outlet.
2. Turn OFF water at the faucet.
3. Discharge residual pressure by squeezing the trigger **7** until no more water comes out of the spray wand **2**.
4. Engage the spray handle lock-off **6**.
5. Disconnect the garden hose from the water intake **17**.
6. Disconnect the high pressure hose **1** from the high pressure water outlet **16** and drain hose.

## MAINTENANCE

**⚠ WARNING:** To reduce the risk of serious personal injury, turn unit off and disconnect it from power source before making any adjustments or removing/installing attachments or accessories. An accidental start-up can cause injury.



## Cleaning

**WARNING:** Blow dirt and dust out of all air vents with clean, dry air at least once a week. To minimize the risk of eye injury, always wear ANSI Z87.1 approved eye protection when performing this procedure.

**WARNING:** Never use solvents or other harsh chemicals for cleaning the non-metallic parts of the tool. These chemicals may weaken the plastic materials used in these parts. Use a cloth dampened only with water and mild soap. Never let any liquid get inside the tool; never immerse any part of the tool into a liquid.

## Nozzle (Fig. A)

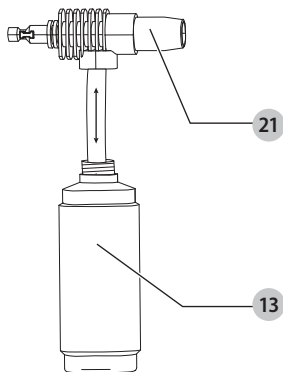
If the nozzle becomes clogged with foreign materials, such as dirt, excessive pressure may develop. If the nozzle becomes partially clogged or restricted, the pump pressure will pulsate. Clean the nozzle immediately using the nozzle cleaner.

1. Shut OFF the pressure washer unit **8** and turn OFF the water supply.
2. Pull trigger **7** on spray handle **4** to relieve any water pressure.
3. Remove the nozzle from the spray wand **2** by pulling the quick connect collar **3** toward the spray wand.
4. Using the spray tip cleaning tool, unclog any debris from the nozzle.
5. Run water from a faucet or garden hose through the nozzle.

## Soap Bottle (Fig. A, H)

Remove the soap bottle **13** from the spray handle **4** by turning the soap bottle counterclockwise and pulling it out of the spray handle. Unscrew the soap bottle applicator **21**. Rinse and empty the soap bottle **13** completely.

Fig. H



## Storage (Fig. I, J)

- Before moving the pressure washer for storage, refer to **Moving the Pressure Washer** under **Operations**.
- Store in a dry, covered location above freezing temperature. **STORE INDOORS**.
- Always completely empty water from high pressure hose, pressure washer unit, spray wand, nozzles, soap bottle, and pressure wand handle.
- 40° white nozzle **18** and turbo nozzle **19** can be stored on the back of the pressure washer unit **8**.
- Wrap up the cord around the power cord storage **20**.

Fig. I

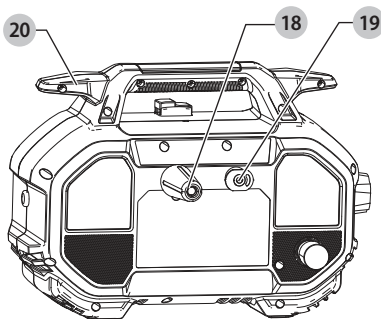
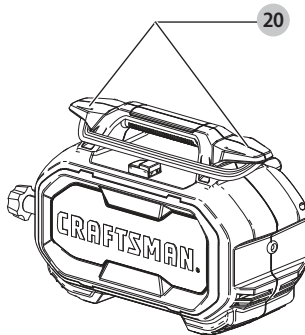


Fig. J



## Accessories

**WARNING:** Since accessories, other than those offered by CRAFTSMAN, have not been tested with this product, use of such accessories with this tool could be hazardous. To reduce the risk of injury, only CRAFTSMAN recommended accessories should be used with this product.

Recommended accessories for use with your tool are available at extra cost from your local dealer or authorized service center. If you need assistance in locating any accessory, please contact CRAFTSMAN call 1-888-331-4569.

## Repairs



**WARNING:** To assure product SAFETY and RELIABILITY, repairs, maintenance and adjustment (including power cord repairs, and brush inspection and replacement, when applicable) should be performed by a CRAFTSMAN factory service center or a CRAFTSMAN authorized service center. Always use identical replacement parts.

## Register Online

Thank you for your purchase. Register your product now for:

- **WARRANTY SERVICE:** Registering your product will help you obtain more efficient warranty service in case there is a problem with your product.
- **CONFIRMATION OF OWNERSHIP:** In case of an insurance loss, such as fire, flood or theft, your registration of ownership will serve as your proof of purchase.
- **FOR YOUR SAFETY:** Registering your product will allow us to contact you in the unlikely event a safety notification is required under the Federal Consumer Safety Act.
- Register online at [www.craftsman.com/registration](http://www.craftsman.com/registration)

## Three Year Limited Warranty

CRAFTSMAN will repair or replace, without charge, any defects due to faulty materials or workmanship for three years from the date of purchase. This warranty does not cover part failure due to normal wear or tool abuse. For further detail of warranty coverage and warranty repair information, visit [www.craftsman.com](http://www.craftsman.com) or call **1-888-331-4569**. This warranty does not apply to accessories or damage caused where repairs have been made or attempted by others. THIS LIMITED WARRANTY IS GIVEN IN LIEU OF ALL OTHERS, INCLUDING THE IMPLIED WARRANTY OF MERCHANTABILITY AND FITNESS FOR A PARTICULAR PURPOSE, AND EXCLUDES ALL INCIDENTAL OR CONSEQUENTIAL DAMAGES. Some states do not allow limitations on how long an implied warranty lasts or the exclusion or limitation of incidental or consequential damages, so these limitations may not apply to you. This warranty gives you specific legal rights and you may have other rights which vary in certain states or provinces.

### 90 DAY MONEY BACK GUARANTEE

If you are not completely satisfied with the performance of your CRAFTSMAN Power Tool or Nailer for any reason, you can return it within 90 days from the date of purchase with a receipt for a full refund – no questions asked.

**LATIN AMERICA:** This warranty does not apply to products sold in Latin America. For products sold in Latin America, see country specific warranty information contained in the packaging, call the local company or see website for warranty information.

**FREE WARNING LABEL REPLACEMENT:** If your warning labels become illegible or are missing, call **1-888-331-4569** for a free replacement.

## TROUBLESHOOTING

**⚠ WARNING: Risk of Unsafe Operation. Before servicing unit unplug or disconnect electrical supply, turn water supply off, discharge residual pressure, and engage spray handle lock-off.**

PROBLEM	CAUSE	CORRECTION
Motor does not start.	Unit not plugged in.	Plug in power cord.
	ON/OFF switch is in the OFF position.	Turn switch to the "ON" position.
	Wand trigger not being squeezed.	Squeeze trigger with switch in "ON" position.
	GFCI tripped.	Press reset button at GFCI on plug end of cord.
Unit does not reach high pressure.	Water faucet not fully turned on.	Open water valve fully.
	Water inlet filter clogged.	Remove filter and rinse to clean.
	Nozzle worn.	Contact CRAFTSMAN customer service representative at 1-888-331-4569.
	Pump is sucking air.	Check that hoses and fittings are air tight. Turn OFF machine and purge pump by squeezing trigger gun until a steady flow of water emerges from the nozzle.
	Water supply restricted.	Check water hose for kinks, leaks and blockage.
Output pressure varies high/low.	Not enough inlet water supply.	Turn water on full force – check hose for leaks and kinks.
	Pump is sucking air.	Check that hoses and fittings are air tight. Turn OFF machine and purge pump by squeezing trigger gun until a steady flow of water emerges from the nozzle.
	Water inlet screen clogged.	To unclog, rinse OFF with water.
	Discharge nozzle is obstructed.	Blow out or remove debris.
No detergent.	Detergent container is empty.	Add more detergent.
	Detergent bottle or suction tube not properly connected.	Check connections.
	Detergent is too thick.	Use detergent recommended for use in pressure washers only.
	Filter on detergent suction tube is clogged.	Run warm water through filter to remove debris.
	Damaged or clogged detergent suction tube.	Remove obstruction or replace detergent suction tube.
	Discharge nozzle is obstructed.	Blow out or remove debris.
Garden hose connection leaks.	Loose fittings.	Tighten fittings.
	Missing/worn rubber washer.	Replace washer in hose adapter.
Spray wand or extension leaks.	Spray wand not properly attached.	Insert the spray wand into the wand extension. Push in and turn to lock spray wand into place.
	Broken O-ring.	Contact CRAFTSMAN customer service representative at 1-888-331-4569.
Pump is excessively noisy.	Pump is sucking air.	Check that hoses and fittings are air tight. Turn OFF machine and purge pump by squeezing trigger gun until a steady flow of water emerges from the nozzle.
Water leaks from pump.	Loose fittings.	Check that all fittings are tight.
	Water seals are damaged or worn.	Contact CRAFTSMAN customer service representative at 1-888-331-4569.
Oil leaks.	Oil seals are damaged or worn.	Contact CRAFTSMAN customer service representative at 1-888-331-4569.
Motor buzzes but fails to run.	Supply voltage below minimum.	Verify that only the pressure washer is running on this circuit.
	System has residual pressure.	Turn unit off, squeeze trigger on spray wand to release pressure, then turn unit on.
	Voltage loss due to extension cord.	Do not use extension cord with this unit – plug directly into outlet.
	Cleaner not used for long periods.	Contact CRAFTSMAN customer service representative at 1-888-331-4569.

## Définitions : symboles et termes d'alarmes sécurité

Ces guides d'utilisation utilisent les symboles et termes d'alarmes sécurité suivants pour vous prévenir de situations dangereuses et de risques de dommages corporels ou matériels.

**⚠ DANGER :** indique une situation dangereuse imminente qui, si elle n'est pas évitée, **entraînera la mort ou des blessures graves.**

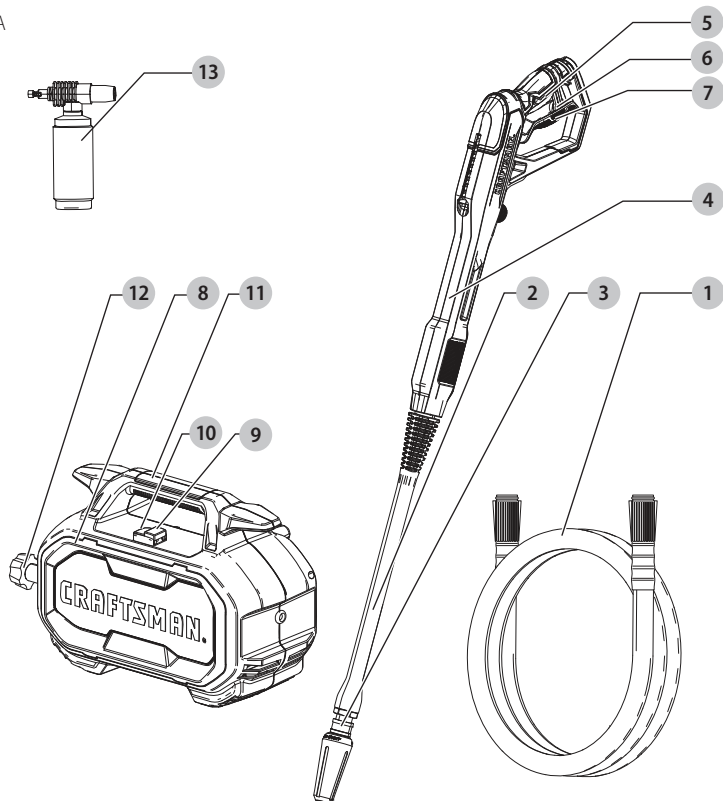
**⚠ AVERTISSEMENT :** indique une situation potentiellement dangereuse qui, si elle n'est pas évitée, **pourrait entraîner la mort ou des blessures graves.**

**⚠ ATTENTION :** indique une situation potentiellement dangereuse qui, si elle n'est pas évitée, **pourrait entraîner des blessures légères ou modérées.**

**⚠** (Si utilisé sans aucun terme) Indique un message propre à la sécurité.

**AVIS :** indique une pratique ne posant **aucun risque de dommages corporels** mais qui par contre, si rien n'est fait pour l'éviter, **pourrait poser des risques de dommages matériels.**

Fig. A



- |  |                                    |
|--|------------------------------------|
| 1 Tuyau à haute pression               | 7 Gâchette                         |
| 2 Lance d'arrosage                     | 8 Unité de laveuse à pression      |
| 3 Collier de connexion rapide          | 9 Bouton Marche                    |
| 4 Poignée du pulvérisateur             | 10 Bouton Arrêt                    |
| 5 Prise de la poignée du pulvérisateur | 11 Poignée                         |
| 6 Verrouillage de la gâchette          | 12 Prise d'eau du boyau d'arrosage |
|  | 13 Bouteille de savon              |

**⚠ AVERTISSEMENT :** lire tous les avertissements de sécurité et toutes les directives. Le non-respect des avertissements et des directives pourrait se solder par un choc électrique, un incendie et/ou une blessure grave.

**⚠ AVERTISSEMENT :** afin de réduire le risque de blessures, lire le mode d'emploi de l'outil.

**Pour toute question ou remarque au sujet de cet outil ou de tout autre outil CRAFTSMAN composez le numéro sans frais : 1-888-331-4569.**

## Laveuse à pression électrique

### CMEPW1700

## CONSIGNES DE SÉCURITÉ IMPORTANTES



**AVERTISSEMENT** : Lorsque vous utilisez cet appareil, des consignes de sécurité élémentaires devraient toujours être prises, incluant les suivantes :

- Lisez toutes les instructions avant d'utiliser le produit.
- Afin de réduire le risque de blessures, une surveillance nécessaire lorsqu'un produit est utilisé près des enfants.
- **Sachez comment arrêter le produit et purger la pression rapidement.** Soyez très familier avec les commandes.
- Demeurez vigilant : regardez ce que vous faites.
- Ne pas utiliser le produit lorsque vous êtes fatigué ou sous l'influence de l'alcool ou de drogues.
- Gardez toutes les personnes à l'écart de la zone de travail.
- **Ne pas trop s'étirer ou se tenir debout sur un support instable.** Maintenez vos pieds bien d'équilibre sur le sol et un bon équilibre en tout temps.
- Suivez les instructions d'entretien indiquées dans le guide.
- **Ce produit est offert avec un disjoncteur de fuite à la terre intégré dans la fiche du cordon. Si le remplacement de la fiche ou du cordon est nécessaire, utilisez seulement des pièces de remplacement identiques.**



**ATTENTION** : risque d'injection ou de blessure : ne pas diriger le jet vers des personnes.

## CONSERVEZ CES INSTRUCTIONS



**AVERTISSEMENT** : veuillez lire tout le guide avant de tenter d'assembler, d'utiliser ou d'installer le produit.



**AVERTISSEMENT** : l'unité a été conçue pour des applications spécifiques. Elle ne doit pas être modifiée et/ou utilisée pour toute autre application que celles pour lesquelles elle a été conçue.

**AVIS** : entreposez toujours votre laveuse à pression dans un endroit où la température ne tombera pas sous 4 °C. Les dommages dus au gel ne sont pas couverts par la garantie.



**AVERTISSEMENT** : ce produit et son évacuation peuvent vous exposer à des produits chimiques, incluant le plomb et ses composés ainsi que du monoxyde de carbone qui sont connus par l'État de la Californie pour causer le cancer et des déformations congénitales ou d'autres sévices au système reproducteur. Pour plus d'informations, consultez [www.P65Warnings.ca.gov](http://www.P65Warnings.ca.gov).

1. Ne pas toucher à la fiche ou à l'outil avec les mains mouillées.
2. **Évitez le démarrage accidentel.** Déplacez la gâchette à la position Arrêt avant de brancher ou de débrancher le cordon de la prise électrique.
3. Le jet d'eau ne doit jamais être dirigé vers tout câblage électrique ou directement vers la laveuse à pression elle-même ou un choc électrique peut se produire.
4. **Ne jamais transporter la laveuse à pression par le cordon.** Ne pas tirer sur le cordon pour le débrancher de la prise.
5. Afin de prévenir les dommages, le cordon ne doit jamais être écrasé, placé près d'objets coupants ou près d'une source de chaleur.
6. **Vérifiez les cordons d'alimentation avant l'utilisation.** Les cordons endommagés peuvent réduire la performance de la laveuse à pression ou causer un choc électrique fatal
7. **Le jet très précis étroit est très puissant.** Il n'est pas recommandé pour l'utilisation sur des surfaces peinturées, surfaces en bois ou des articles ayant un dos adhésif.
8. La zone de travail doit être exempte de personnes et d'animaux.
9. Utilisez les deux mains lorsque vous faites fonctionner la laveuse à pression pour maintenir le contrôle complet de la lance.
10. **Ne pas toucher la buse ou le pulvérisateur d'eau pendant l'utilisation.** Ne jamais placer les mains à l'avant de la buse.
11. **Portez des lunettes de sécurité pendant l'utilisation.** Portez des vêtements et des chaussures de protection contre la pulvérisation accidentelle.
12. Débranchez la fiche d'alimentation de la prise lorsque vous ne l'utilisez pas et avant de détacher le tuyau à haute pression.
13. **Ne jamais faire des nœuds ou tortiller le tuyau à haute pression puisque cela pourrait causer des dommages. Inspectez régulièrement le tuyau à haute pression. Remplacez immédiatement le tuyau s'il est endommagé, usé ou s'il montre des signes de fissures, des bulles, des perforations ou d'autres fuites.** Ne jamais saisir le tuyau à haute pression s'il fuit ou s'il est endommagé.
14. **Ne pas utiliser ou entreposer ce produit dans des températures sous 4 °C.** Les dommages dus au gel ne sont pas couverts par la garantie.
15. **Suivez attentivement toutes les instructions et les avertissements des produits chimiques avant l'utilisation. Utilisez seulement des laveuses à pression approuvées. Ne pas utiliser d'eau de Javel, de chlore ou tout autre nettoyant contenant des acides. Suivez toujours les recommandations des étiquettes du fabricant pour une utilisation appropriée des laveuses.** Protégez vos yeux, votre peau et votre système respiratoire des laveuses.
16. **La laveuse à pression ne doit pas être utilisée dans des endroits où des vapeurs et des gaz peuvent être présents.** Une étincelle électrique pourrait causer une explosion ou un incendie.

## FRANÇAIS


17. Pour minimiser la quantité d'eau entrant dans la laveuse à pression, l'unité doit être placée aussi près que possible du site de nettoyage durant l'utilisation.
18. Afin de prévenir une décharge accidentelle, le pistolet doit être sécurisé en verrouillant la gâchette lorsque vous ne l'utilisez pas.
19. Pour permettre la circulation de l'air libre, la laveuse à pression NE DOIT PAS être couverte durant l'utilisation.
20. **Ne jamais toucher, saisir ou tenter de couvrir une perforation ou une fuite d'eau semblable sur le tuyau à haute pression.** Le jet d'eau EST sous haute pression et TRANSPERCERA la peau.
21. **Utilisez seulement les tuyaux et les accessoires classés pour une pression plus élevée que le psi de votre laveuse à pression.** Ne jamais utiliser avec des accessoires ou des composants d'autres fabricants.
22. Ne jamais défaire les dispositifs de sécurité de ce produit.
23. Ne pas utiliser la machine avec des pièces manquantes, brisées ou non autorisées.
24. Ne jamais vaporiser des liquides inflammables ou utiliser la laveuse à pression dans des endroits comportant de la poussière, du liquide ou des vapeurs combustibles.
25. NE PAS utiliser de rallonge avec cette laveuse à pression.

## PROTECTION DU DISJONCTEUR DE FUITE À LA TERRE


Cette laveuse à pression est offerte avec un disjoncteur de fuite à la terre (DDFT) intégré dans la fiche du cordon d'alimentation. Cet appareil offre une protection supplémentaire contre le risque de choc électrique. S'il s'avère nécessaire de remplacer la fiche ou le cordon, utilisant seulement des pièces de rechange identiques qui incluent une protection DDFT.

## RALLONGES






Utilisez seulement des rallonges qui sont conçues pour une utilisation extérieure. Ces rallonges sont identifiées par l'inscription « Acceptable pour une utilisation avec des appareils extérieurs; entreposez à l'intérieur lorsqu'elle n'est pas utilisée ». Utilisez seulement des rallonges ayant un classement électrique qui n'est pas inférieur au classement du produit. Ne pas utiliser des rallonges endommagées. Examinez régulièrement la rallonge avant de l'utiliser et remplacez-la si elle est endommagée. Ne pas abuser de la rallonge et ne pas tirer sur toute rallonge pour débrancher. Gardez le cordon à l'écart de la chaleur et des bords coupants. Débranchez toujours la rallonge de la prise avant de débrancher le produit de la rallonge.

 **AVERTISSEMENT :** afin de réduire le risque d'électrocution, gardez tous les branchements secs et au-dessus du sol. Ne pas toucher la fiche avec les mains mouillées.

## ENTRETIEN D'UN APPAREIL À ISOLATION DOUBLE

Dans un produit à isolation double, deux systèmes d'isolation sont fournis au lieu de la mise à la terre. Aucun moyen de mise à la terre n'est fourni sur un produit à isolation double ni aucun moyen de mise à la terre ne doit être ajouté au produit. L'entretien d'un produit à isolation double nécessite une grande prudence et une connaissance approfondie du système et doit être effectué seulement par le personnel d'entretien qualifié. Les pièces de remplacement d'un produit à isolation double doivent être identiques aux pièces qu'elles remplacent. Un produit à isolation double est identifié par les mots « ISOLATION DOUBLE » ou « DOUBLEMENT ISOLÉ ». Le symbole peut aussi être indiqué sur le produit. 

## Renseignements de sécurité supplémentaires

-  **AVERTISSEMENT :** ne jamais modifier l'outil électrique ou toute pièce de celui-ci. Cela pourrait entraîner des dommages matériels ou des blessures corporelles.
-  **AVERTISSEMENT :** portez **TOUJOURS** des lunettes de sécurité. Les lunettes de tous les jours NE SONT PAS des lunettes de sécurité. De plus, utilisez un masque facial ou antipoussières s'il y a de la poussière durant l'utilisation. **PORTEZ TOUJOURS UN ÉQUIPEMENT DE SÉCURITÉ CERTIFIÉ :**
- protection oculaire ANSI Z87.1 (CAN/CSA Z94.3),
  - protection auditive ANSI S12.6 (S3.19),
  - protection respiratoire NIOSH/OSHA/MSHA.
-  **AVERTISSEMENT :** certaines poussières contiennent des produits chimiques reconnus dans l'État de la Californie pour causer le cancer et des anomalies congénitales ou autres effets nuisibles sur la reproduction. Certains exemples de ces produits chimiques sont :
- des composants de fertilisants,
  - des composants d'insecticides, d'herbicides et de pesticides,
  - l'arsenic et le chrome provenant du bois de construction traité chimiquement.
- Pour réduire votre exposition à ces produits chimiques, portez un équipement de sécurité approuvé, comme un masque antipoussières spécialement conçu pour filtrer les particules microscopiques.
-  **AVERTISSEMENT :** l'utilisation de cet outil peut générer et/ou disperser de la poussière qui peut causer des lésions respiratoires graves et permanentes ou d'autres blessures. Utilisez toujours une protection respiratoire approuvée par NIOSH/OSHA appropriée pour l'exposition à la poussière. Dirigez les particules loin du visage et du corps.
-  **AVERTISSEMENT :** portez toujours une protection auditive personnelle appropriée conforme à ANSI S12.6 (S3.19) durant

**l'utilisation.** Dans certaines conditions et selon la durée d'utilisation, le bruit provenant de ce produit peut contribuer à la perte de l'audition.

- **Les événements couvrent souvent des pièces qui se déplacent et doivent être évités.** Des vêtements amples, les bijoux ou les cheveux longs peuvent se coincer dans des pièces qui déplacent.
- **Une rallonge doit avoir un calibre de fil (AWG ou calibrage américain normalisé des fils) approprié pour la sécurité.** Plus le numéro de calibre du fil est petit, plus la capacité du câble est grande, c'est-à-dire que le calibre 16 a plus de capacité que le calibre 18. Un cordon de taille inférieure entraînera une chute de tension de secteur ce qui causera une perte de puissance et une surchauffe. Lorsque vous utilisez plus d'une rallonge pour obtenir la longueur totale, assurez-vous que chaque rallonge individuelle a au moins le calibre de fil minimum. Le tableau suivant affiche la bonne taille à utiliser selon longueur de cordon et l'intensité nominale de la plaque signalétique. En cas de doute, utilisez le calibre le plus lourd suivant. Plus le numéro de calibre est bas, plus le cordon est lourd.

#### Calibres minimums pour rallonges électriques

Volts		Longueur totale de la rallonge en pieds (mètres)			
120 V		25 (7,6)	50 (15,2)	100 (30,5)	150 (45,7)
240 V		50 (15,2)	100 (30,5)	200 (61,0)	300 (91,4)
Courant nominal		AWG (American Wire Gauge)			
Plus de	Pas plus de				
0	6	18	16	16	14
6	10	18	16	14	12
10	12	16	16	14	12
12	16	14	12	Non recommandé	

L'étiquette apposée sur votre outil peut inclure les symboles suivants. Les symboles et leur définition sont indiqués ci-après :

V.....volts	W.....watts
Hz.....hertz	~ ou AC.....courant alternatif
min.....minutes	⎓ ou AC/DC.....courant alternatif ou continu
— — ou DC.....courant continu	□.....fabrication classe II (double isolation)
Ⓢ.....fabrication classe I (mis à la terre)	n <sub>0</sub> .....vitesse à vide
.../min.....par minute	n.....vitesse nominale
BPM.....battements par minute	⊕.....borne de terre
IPM.....impacts par minute	⚠.....symbole d'avertissement
RPM.....révolutions par minute	⚠.....radiation visible
sfp (plp).....pieds linéaires par minute	☉.....protection respiratoire
SPM (FPM).....fréquence par minute	☉.....protection oculaire
OPM.....oscillations par minute	☉.....protection auditive
A.....ampères	📄.....lire toute la documentation
IPXX.....symbole IP	

## Moteur

S'assurer que le bloc d'alimentation est compatible avec l'inscription de la plaque signalétique. Une diminution de tension de plus de 10 % provoquera une perte de puissance et une surchauffe. Ces outils sont testés en usine ; si cet outil ne fonctionne pas, vérifier l'alimentation électrique.

## Utilisation prévue

Cette laveuse à pression n'est pas conçue pour le nettoyage de bateaux, d'autos, de terrasses, d'entrées, de grils, de parements de maison, de motos, de patios et de meubles extérieurs.

**NE PAS** laisser les enfants entrer en contact avec l'outil. Une supervision est requise lorsque des utilisateurs inexpérimentés utilisent cet outil.

## ASSEMBLAGE ET AJUSTEMENTS



**AVERTISSEMENT :** afin de réduire le risque de blessure corporelle, éteignez l'appareil et débranchez-le la source d'alimentation avant d'effectuer tout ajustement ou de retirer/installer des pièces ou des accessoires. Un déclenchement accidentel du démarrage peut causer des blessures.

### Caractéristiques

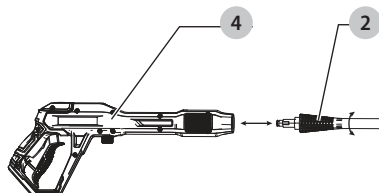
Livres maximales par pouce carré	1 700
Gallons nominaux par minute*	1,2
Exigences électriques	120 Vac ~60Hz, 13 A
Cordon électrique	10,6 m (35 pi)
Tuyau à haute pression	6,1 m (20 pi)
Source d'ampères minimum	15 A
Pression de l'entrée d'eau*	20 à 100 PSI
Entrée d'eau	Froide du robinet
Taux de consommation de savon	10 % MAX

\*Débit d'eau et pressions nominales maximum déterminées conformément à CETA CPC-100.

## Fixer la lance d'arrosage (Fig. B)

Pour connecter la lance d'arrosage 2 à la poignée du pulvérisateur 4, insérez l'extrémité de la lance d'arrosage dans la poignée du pulvérisateur et tournez la lance d'arrosage dans le sens contraire des aiguilles d'une montre pour le verrouiller en place.

Fig. B





## Fixer le tuyau à haute pression (Fig. C, D)

**AVIS :** ne jamais tirer sur le tuyau à haute pression pour déplacer la laveuse à pression. Cela pourrait endommager le tuyau et/ou la sortie de la pompe.

Pour connecter le tuyau à haute pression **1** à la poignée du pulvérisateur **4**, vissez le collier du tuyau **14** sur le coupleur d'entrée de la poignée du pulvérisateur **15**.

Pour connecter le tuyau à haute pression à l'unité de laveuse à pression **8**, vissez le collier du tuyau **14** sur la sortie d'eau à haute pression **16**.

Fig. C

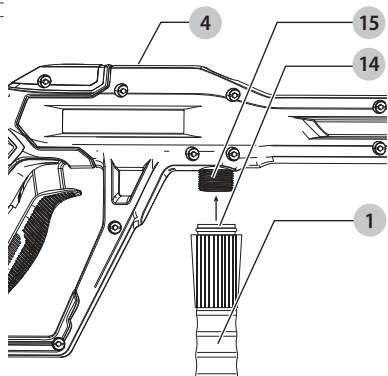
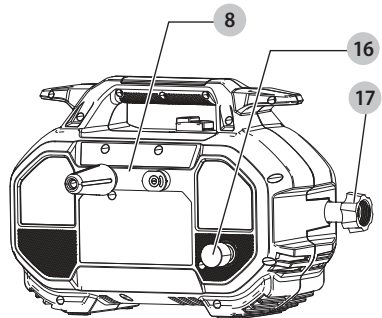


Fig. D



## Fixer les buses (Fig. E)

**! DANGER :** risque d'injection liquide. Ne pas diriger le jet vers des personnes, la peau non protégée, les yeux, tout animal. Cela produira des blessures graves.

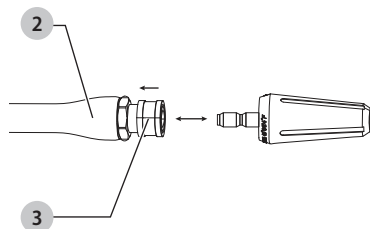
**! AVERTISSEMENT :** les objets projetés pourraient causer un risque de blessure grave. NE PAS tenter de changer les buses pendant que la laveuse à pression fonctionne. Éteignez la laveuse à pression avant de changer les buses.

Pour connecter la buse blanche à 40° ou la buse turbo noire la lance d'arrosage **2**, tirez sur le collier de connexion rapide **3** vers la lance d'arrosage et insérez la buse appropriée. Relâchez le collier de connexion rapide pour verrouiller la buse en place.

Pour vous assurer que la buse est verrouillée en place, tirez fermement sur la buse après avoir verrouillé le collier de connexion rapide en place.

Embout du pulvérisateur	Application
Buse blanche à 40°	Pour le nettoyage d'une grande zone en douceur.
Buse turbo noire	Pour un nettoyage abrasif.

Fig. E



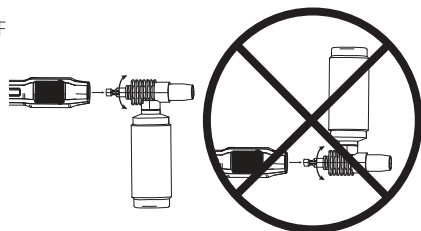
## Fixer la bouteille de savon (Fig. F)

Pour connecter la bouteille de savon **13** à la poignée du pulvérisateur **2**, insérez l'extrémité de la bouteille de savon dans la poignée du pulvérisateur et tournez la bouteille de savon dans le sens contraire des aiguilles d'une montre pour la verrouiller en place.

**REMARQUE :** la lance et la bouteille de savon ne peuvent pas être installées en même temps.

**REMARQUE :** la bouteille de savon doit être placée sous le canon de la poignée du pulvérisateur. Ne pas placer la bouteille de savon au-dessus du canon du pistolet en plastique puisque cela pourrait entraîner l'écoulement du savon sur le canon.

Fig. F



## Fixer le boyau d'arrosage (Fig. A, D)

Pour connecter un boyau d'arrosage à l'unité de laveuse à pression **8**, placez l'extrémité du boyau d'arrosage dans l'entrée d'eau **17**. Serrez le boyau d'arrosage à la main.

Déconnectez toujours le boyau d'arrosage après l'utilisation.

**REMARQUE :** Avant de connecter le boyau d'arrosage à l'unité de laveuse à pression, faites couler l'eau dans le boyau d'arrosage pendant trente secondes pour enlever tout débris du bec du boyau d'arrosage.



## FONCTIONNEMENT

**!** **AVERTISSEMENT** : afin de réduire le risque de blessure corporelle, éteignez l'appareil et débranchez-le la source d'alimentation avant d'effectuer tout ajustement ou de retirer/installer des pièces ou des accessoires. Un déclenchement accidentel du démarrage peut causer des blessures.

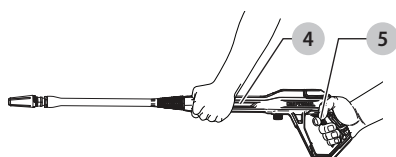
### Position appropriée des mains (Fig. G)

**!** **AVERTISSEMENT** : afin de réduire le risque de blessure corporelle grave, utilisez **TOUJOURS** la position des mains appropriée comme illustré.

**!** **AVERTISSEMENT** : afin de réduire le risque de blessure grave, tenez **TOUJOURS** solidement en prévision d'une réaction soudaine.

Une position des mains appropriée nécessite une main sur la prise de la poignée du pulvérisateur **5**. Tenez la lance d'arrosage **4** de façon sécuritaire avec l'autre main.

Fig. G



## Tester le disjoncteur différentiel de fuite à la terre (DDFT) avant chaque utilisation

Cette laveuse à pression est offerte avec un disjoncteur de fuite à la terre (DDFT) intégré dans la fiche du cordon d'alimentation. Cet appareil offre une protection supplémentaire contre le risque de choc électrique.

1. Branchez le disjoncteur différentiel de fuite à la terre (DDFT) dans une prise de mise à la terre qui fonctionne.
2. L'indicateur au-dessus du DDFT doit devenir vert lorsque le produit est prêt pour l'utilisation.
3. Appuyez sur le bouton « TEST » (en bas). Le voyant vert doit disparaître.
4. Appuyez sur le bouton « RÉINITIALISER » pour utiliser. Ne pas utiliser si le test précédent échoue.

## Nettoyage à pression

### Préparation de la surface pour le nettoyage

- Retirez les objets de la zone qui pourraient créer un danger comme des jouets d'enfants ou des meubles extérieurs.
- Assurez-vous que toutes les portières et les fenêtres sont bien fermées. Protégez toutes les plantes et tous les arbres dans la zone adjacente avec une toile de protection en vous assurant qu'ils ne seront pas endommagés par une surpulvérisation.
- Prérincez la zone de nettoyage avec de l'eau fraîche.

- Utilisez seulement des détergents formulés pour les laveuses à pression.
- Testez toujours le détergent dans une zone discrète avant l'utilisation.

### Préparer l'unité de laveuse à pression pour l'utilisation (Fig. A)

**!** **DANGER** : risque d'injection de liquide et de lacération. Lorsque vous utilisez le réglage à haute pression, **NE PAS** laisser la pulvérisation à haute pression entrer en contact avec la peau non protégée, les yeux ou tout animal. Cela produira des blessures graves.

**!** **ATTENTION** : avant l'utilisation :

- Connectez l'alimentation de l'eau à la laveuse à pression. Pour des instructions sur la connexion de l'alimentation de l'eau à la laveuse à pression, veuillez consulter **Fixer le boyau d'arrosage dans Assemblage et ajustements**.
- Connectez le tuyau à haute pression à la laveuse à pression et à la lance à pression. Pour des instructions sur la connexion du tuyau à haute pression à la laveuse à pression et à la lance à pression, veuillez consulter **Fixer le tuyau à haute pression dans Assemblage et ajustements**.

### Préparer la poignée du pulvérisateur

**IMPORTANT** : avant de mettre l'unité de laveuse à pression en marche, désengagez le verrouillage de la gâchette **6** et appuyez sur la gâchette **7**. Tenez la gâchette pendant 30 secondes pour purger le système de l'air. S'il y a de l'air dans le jet d'eau, continuez à faire couler l'eau dans la poignée du pulvérisateur.

1. Relâchez le verrouillage de la gâchette **6**.
2. Appuyez sur la gâchette **7**.

### Nettoyer une surface

- Pour démarrer la laveuse à pression, appuyez sur le bouton Marche **9**.
- Le meilleur angle pour pulvériser de l'eau contre une surface de nettoyage est de 45°. La tête de pulvérisation a tendance à faire en sorte que les particules de saleté s'intègrent dans la surface. Lorsque vous travaillez sur des surfaces verticales, il vaut mieux appliquer le détergent en commençant par le bas et en travaillant vers le haut ce qui empêche le détergent de glisser et de causer des stries.

Pour désengager la poignée du pulvérisateur, relâchez la gâchette.

**REMARQUE** : la pression excessive de la pompe peut être le résultat d'une buse obstruée ou d'un raccord en laiton. Éteignez toujours l'unité de laveuse à pression et débranchez l'unité avant de tenter de déboucher une buse ou un raccord en laiton.

### Déplacer la laveuse à pression (Fig. A)

1. Éteignez l'unité de laveuse à pression **8** et fermez l'alimentation de l'eau.

## FRANÇAIS

2. Pointez la lance d'arrosage **2** dans une direction sécuritaire et appuyez sur la gâchette **7** pour relâcher la pression de l'eau restante.
3. Lorsque la lance d'arrosage est complètement vide, transportez la laveuse à pression par la poignée **11**.

### Arrêt (Fig. A)

1. Pour arrêter laveuse à pression, appuyez sur le bouton Arrêt **10** et débranchez le cordon de la prise.
2. Fermez l'eau du robinet.
3. Déchargez la pression résiduelle en appuyez sur la gâchette **7** jusqu'à ce qu'il n'y ait plus d'eau qui sorte de la lance d'arrosage **2**.
4. Enclenchez le verrouillage de la poignée du pulvérisateur **6**.
5. Déconnectez le boyau d'arrosage de l'entrée d'eau **17**.
6. Déconnectez le tuyau à haute pression **1** de la sortie d'eau à haute pression **16** vider le tuyau.

## MAINTENANCE

**AVERTISSEMENT** : afin de réduire le risque de blessure corporelle, éteignez l'appareil et débranchez-le la source d'alimentation avant d'effectuer tout ajustement ou de retirer/ installer des pièces ou des accessoires. Un déclenchement accidentel du démarrage peut causer des blessures.

### Nettoyage

**AVERTISSEMENT** : enlever les saletés et la poussière hors des événements au moyen d'air comprimé propre et sec, au moins une fois par semaine. Pour minimiser le risque de blessure aux yeux, toujours porter une protection oculaire conforme à la norme ANSI Z87.1 lors du nettoyage.

**AVERTISSEMENT** : ne jamais utiliser de solvants ni d'autres produits chimiques puissants pour nettoyer les pièces non métalliques de l'outil. Ces produits chimiques peuvent affaiblir les matériaux de plastique utilisés dans ces pièces. Utiliser un chiffon humecté uniquement d'eau et de savon doux. Ne jamais laisser de liquide pénétrer dans l'outil et n'immerger aucune partie de l'outil dans un liquide.

### Buse (Fig. A)

Si la buse devient obstruée avec des corps étrangers, comme de la saleté, de la pression excessive peut se développer. Si la buse devient partiellement obstruée ou restreinte, la pression de la pompe sera discontinuée. Nettoyez immédiatement la buse à l'aide d'un nettoyant pour buses.

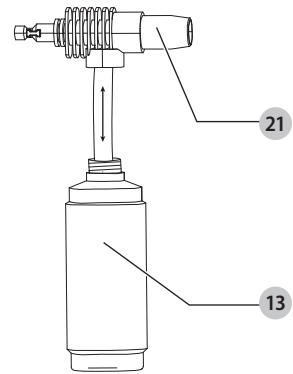
1. Éteignez l'unité de laveuse à pression **8** et fermez l'alimentation de l'eau.
2. Appuyez sur la gâchette **7** sur la poignée du pulvérisateur **4** pour atténuer la pression de l'eau.
3. Retirez la buse de la lance d'arrosage **2** en tirez sur le collier de connexion rapide **3** vers la lance d'arrosage.

4. À l'aide d'un outil de nettoyage de l'embout du pulvérisateur, débouchez tout débris de la buse.
5. Faites couler l'eau provenant du robinet et du boyau d'arrosage à travers la buse.

### Bouteille de savon (Fig. A, H)

Retirez la bouteille de savon **13** de la poignée du pulvérisateur **4** en tournant la bouteille de savon dans le sens contraire des aiguilles d'une montre et en la sortant de la poignée du pulvérisateur. Dévissez l'appliqueur de la bouteille de savon **21**. Rincez et videz complètement la bouteille de savon **13**.

Fig. H



### Entreposage (Fig. I, J)

- Avant de déplacer la laveuse à pression pour l'entreposage, consultez **Déplacer la laveuse à pression** dans **Utilisations**.
- Entreposez dans un endroit sec au-dessus de la température de congélation. **ENTREPOSEZ À L'INTÉRIEUR**.
- Videz toujours complètement l'eau du tuyau à haute pression, de l'unité de laveuse à pression, de la lance d'arrosage, des buses, de la bouteille de savon et de la poignée du tuyau à haute pression.
- La buse blanche à 40° **18** et la buse turbo **19** peuvent être entreposées à l'arrière de l'unité de laveuse à pression **8**.
- Enroulez le cordon autour du rangement du cordon d'alimentation **20**.

Fig. I

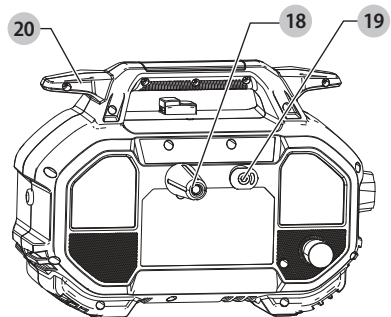
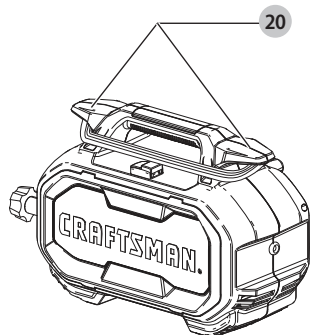


Fig. J



## Accessoires



**AVERTISSEMENT :** puisque les accessoires autres que ceux offerts par CRAFTSMAN n'ont pas été testés avec ce produit, leur utilisation pourrait s'avérer dangereuse. Pour réduire le risque de blessures, utiliser exclusivement les accessoires CRAFTSMAN recommandés avec le présent produit.

Les accessoires recommandés pour cet outil sont vendus séparément au centre de service de votre région. Pour obtenir de l'aide concernant l'achat d'un accessoire, communiquer avec CRAFTSMAN, composer le 1-888-331-4569.

## Réparations



**AVERTISSEMENT :** pour assurer la SÉCURITÉ et la FIABILITÉ du produit, les réparations, l'entretien et les réglages doivent être réalisés (cela comprend l'inspection et le remplacement du balai, le cas échéant) par un centre de réparation en usine CRAFTSMAN ou un centre de réparation agréé CRAFTSMAN. Toujours utiliser des pièces de rechange identiques.

## Registre en ligne

Merci pour votre achat. Enregistrez dès maintenant votre produit :

- **RÉPARATIONS SOUS GARANTIE:** cette carte remplit vous permettra de vous prévaloir du service de réparations sous garantie de façon plus efficace dans le cas d'un problème avec le produit.
- **CONFIRMATION DE PROPRIÉTÉ:** en cas de perte provoquée par un incendie, une inondation ou un vol, cette preuve de propriété vous servira de preuve auprès de votre compagnie d'assurances.
- **SÉCURITÉ:** l'enregistrement de votre produit nous permettra de communiquer avec vous dans l'éventualité peu probable de l'envoi d'un avis de sécurité régi par la loi fédérale américaine de la protection des consommateurs.
- Registre en ligne à [www.craftsman.com/registration](http://www.craftsman.com/registration)

## Garantie limitée de trois ans

CRAFTSMAN réparera ou remplacera sans frais tout appareil défectueux pour cause de défaut de matériau ou de main-d'œuvre sur une période de trois ans à partir de la date d'achat de l'outil. Cette garantie ne couvre pas les pièces en panne pour cause d'abus ou d'usure normale de l'outil. Pour plus de détails au sujet de la couverture de la garantie et l'information de réparation sous garantie, visitez [www.craftsman.com](http://www.craftsman.com) ou composez le **1-888-331-4569**. Cette garantie ne s'applique pas aux accessoires ou dommages causés par des réparations effectuées ou tentées par d'autres. CETTE GARANTIE REMPLACE TOUTES LES AUTRES, INCLUANT LES GARANTIES IMPLICITES DE LA QUALITÉ MARCHANDE ET L'APTITUDE POUR UN BUT PARTICULIER, ET EXCLUT TOUS LES DOMMAGES ACCIDENTELS OU CONSÉCUTIFS. Certaines provinces ne permettent pas de limitation sur la durée de la garantie implicite ou l'exclusion ou la limitation de dommages indirects, alors ces limitations peuvent ne pas s'appliquer à vous. Cette garantie vous donne des droits légaux particuliers et vous pouvez avoir d'autres droits qui varient selon les états ou les provinces.

### GARANTIE DE REMBOURSEMENT DE 90 JOURS

Si l'acheteur n'est pas entièrement satisfait, pour quelque raison que ce soit, du rendement de l'outil électrique ou de la cloueuse CRAFTSMAN, celui-ci peut le retourner, accompagné d'un reçu, dans les 90 jours à compter de la date d'achat pour obtenir un remboursement intégral, sans aucun problème.

**AMÉRIQUE LATINE :** cette garantie ne s'applique aux produits vendus en Amérique latine. Pour ceux-ci, veuillez consulter les informations relatives à la garantie spécifique présente dans l'emballage, appeler l'entreprise locale ou consulter le site Web pour les informations relatives à cette garantie.

### REMPLACEMENT GRATUIT DES ÉTIQUETTES

**D'AVERTISSEMENT :** si les étiquettes d'avertissement deviennent illisibles ou sont manquantes, composer le **1-888-331-4569** pour en obtenir le remplacement gratuit.

## DÉPANNAGE



**AVERTISSEMENT : Risque d'utilisation non sécuritaire. Avant d'entretenir l'unité, débranchez l'alimentation électrique, fermez l'alimentation de l'eau, déchargez la pression résiduelle et enclenchez le verrouillage de la poignée du pulvérisateur.**

PROBLÈME	CAUSE	CORRECTION
Le moteur ne démarre pas.	L'unité n'est pas branchée.	Branchez le cordon d'alimentation.
	Le bouton Marche/Arrêt est en position Arrêt.	Mettez le bouton à la position « Marche ».
	Vous n'avez pas appuyé sur la gâchette de la lance.	Appuyez sur la gâchette avec le bouton à la position « Marche ».
	DDFT déclenché.	Appuyez sur le bouton Réinitialiser du DDFT à l'extrémité de la fiche du cordon.
L'unité n'atteint pas la haute pression.	Le robinet d'eau n'est pas complètement ouvert.	Ouvrez complètement la valve d'eau.
	Filtre d'entrée d'eau obstrué.	Retirez le filtre et rincez pour nettoyer.
	Buse usée.	Contactez un représentant du service à la clientèle CRAFTSMAN au 1-888-331-4569.
	La pompe aspire de l'air.	Assurez-vous que les tuyaux et les raccords sont hermétiques. Éteignez la machine et purgez la pompe en appuyant sur le pistolet à gâchette jusqu'à ce qu'un flux constant d'eau sort de la buse.
	L'alimentation de l'eau est limitée.	Vérifiez le tuyau d'eau a des nœuds, des fuites ou un blocage.
La pression de sortie varie haute/basse.	Pas assez d'alimentation de l'eau.	Ouvrez complètement l'eau, vérifiez si le tuyau a des fuites ou des nœuds.
	La pompe aspire de l'air.	Assurez-vous que les tuyaux et les raccords sont hermétiques. Éteignez la machine et purgez la pompe en appuyant sur le pistolet à gâchette jusqu'à ce qu'un flux constant d'eau sort de la buse.
	Grille d'entrée d'eau obstruée.	Pour déboucher, rincez avec de l'eau.
La buse de décharge est obstruée.		Soufflez ou retirez les débris.
Aucun détergent.	Le contenant de détergent est vide.	Ajoutez plus de détergent.
	La bouteille de détergent ou le tube d'aspiration n'est pas bien connecté.	Vérifiez les connexions.
	Le détergent est trop épais.	Utilisez seulement le détergent recommandé pour l'utilisation dans les laveuses à pression.
	Le filtre sur le tube d'aspiration du détergent est obstrué.	Faites couler de l'eau chaude dans le filtre pour retirer les débris.
	Tube d'aspiration du détergent endommagé ou obstrué.	Retirez l'obstruction ou remplacez de tube d'aspiration du détergent.
	La buse de décharge est obstruée.	Soufflez ou retirez les débris.
La connexion du boyau d'arrosage fuit.	Raccords desserrés.	Serrez les raccords.
	Rondelle en caoutchouc manquante/usée.	Remplacez la rondelle de l'adaptateur du boyau.
La lance d'arrosage ou l'extension fuit.	La lance d'arrosage n'est pas bien fixée.	Insérez la lance d'arrosage dans l'extension de la lance. Insérez et tournez pour verrouiller la lance d'arrosage en place.
	Joints toriques brisés.	Contactez un représentant du service à la clientèle CRAFTSMAN au 1-888-331-4569.
La pompe est excessivement bruyante.	La pompe aspire de l'air.	Assurez-vous que les tuyaux et les raccords sont hermétiques. Éteignez la machine et purgez la pompe en appuyant sur le pistolet à gâchette jusqu'à ce qu'un flux constant d'eau sort de la buse.
L'eau fuit de la pompe.	Raccords desserrés.	Assurez-vous que tous les raccords sont serrés.
	Les joints d'eau sont endommagés ou usés.	Contactez un représentant du service à la clientèle CRAFTSMAN au 1-888-331-4569.
Huile qui fuit.	Les joints d'huile sont endommagés ou usés.	Contactez un représentant du service à la clientèle CRAFTSMAN au 1-888-331-4569.
Le moteur bourdonne, mais n'arrive pas à fonctionner.	Tension de l'alimentation insuffisante.	Vérifiez si seulement la laveuse à pression fonctionne sur ce circuit.
	Le système a de la pression résiduelle.	Éteignez l'unité, appuyez sur la gâchette sur la lance d'arrosage pour relâcher la pression, puis allumez l'unité.
	Tension perdue en raison de la rallonge.	Ne pas utiliser de rallonge avec cette unité. Branchez directement dans la prise.
	Laveuse non utilisée pendant de longues périodes.	Contactez un représentant du service à la clientèle CRAFTSMAN au 1-888-331-4569.

## Definiciones: Símbolos y Palabras de Alerta de Seguridad

Este manual de instrucciones utiliza los siguientes símbolos y palabras de alerta de seguridad para alertarle de situaciones peligrosas y del riesgo de lesiones corporales o daños materiales.

**!** **PELIGRO:** Indica una situación de peligro inminente que, si no se evita, provocará **la muerte o lesiones graves**.

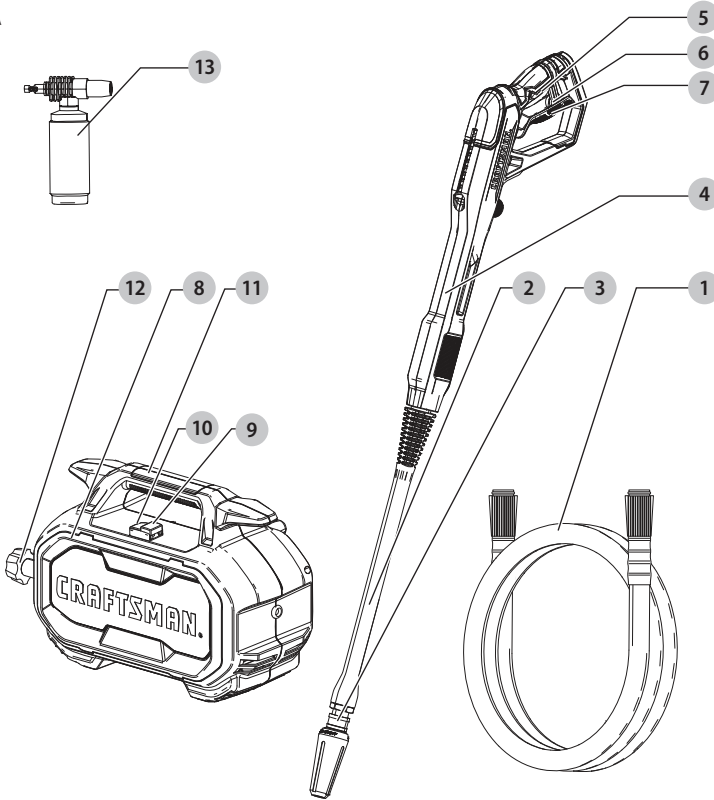
**!** **ADVERTENCIA:** Indica una situación de peligro potencial que, si no se evita, **podría provocar la muerte o lesiones graves**.

**!** **ATENCIÓN:** Indica una situación de peligro potencial que, si no se evita, **posiblemente provocaría lesiones leves o moderadas**.

**!** (Utilizado sin palabras) indica un mensaje de seguridad relacionado.

**AVISO:** Se refiere a una práctica **no relacionada a lesiones corporales** que de no evitarse **puede resultar en daños a la propiedad**.

Fig. A



- |                             |  |
|-----------------------------|--|
| 1 Manguera de alta presión  | 8 Unidad de lavadora a presión           |
| 2 Varilla de rocío          | 9 Botón de encendido                     |
| 3 Collar de conexión rápida | 10 Botón de apagado                      |
| 4 Manija de rocío           | 11 Manija                                |
| 5 Agarre de manija de rocío | 12 Entrada de agua de manguera de jardín |
| 6 Bloqueo de gatillo        | 13 Botella de jabón                      |
| 7 Gatillo                   |  |

**!** **ADVERTENCIA:** Lea todas las advertencias de seguridad e instrucciones. El incumplimiento de las advertencias e instrucciones puede provocar descargas eléctricas, incendios o lesiones graves.

**!** **ADVERTENCIA:** Para reducir el riesgo de lesiones, lea el manual de instrucciones.

Si tiene alguna duda o algún comentario sobre ésta u otra herramienta CRAFTSMAN llámenos al número gratuito: 1-888-331-4569.

## Lavadora a presión eléctrica CMEPW1700

### INSTRUCCIONES DE SEGURIDAD IMPORTANTES



**ADVERTENCIA:** Cuando use este aparato, siempre se deben seguir las precauciones de seguridad básicas, incluyendo las siguientes:

- Lea todas las instrucciones antes de usar el producto.
- Para reducir el riesgo de lesiones, se necesita supervisión cercana cuando se use un producto cerca de niños.
- **Conozca como parar el producto y purgue las presiones rápidamente.** Familiarícese completamente con los controles.
- Permanezca alerta - Observe lo que está haciendo.
- No opere el producto cuando esté fatigado o bajo la influencia de alcohol o drogas.
- Mantenga el área de operación libre de personas.
- **No se estire o se pare en un soporte inestable.** Mantenga una base de apoyo y equilibrio correctos en todo momento.
- Siga las instrucciones de mantenimiento especificadas en el manual.
- **Este producto se proporciona con un interruptor de circuito de falla a tierra integrado en el enchufe del cable eléctrico. Si se necesita el reemplazo del enchufe o cable, sólo use partes de reemplazo idénticas.**



**PRECAUCIÓN:** Riesgo de inyección o lesiones – No dirija la corriente de descarga a personas.”

### CONSERVE ESTAS INSTRUCCIONES



**ADVERTENCIA:** Por favor lea el manual completo antes de intentar ensamblar, operar o instalar el producto.



**ADVERTENCIA:** Esta unidad se diseñó para aplicaciones específicas. No se debe modificar y/o usar para ninguna aplicación diferente para la que se diseñó.

**AVISO:** Siempre guarde su lavadora a presión en un lugar donde la temperatura no caiga por debajo de 4 °C. El daño por congelamiento no está cubierto por la garantía.



**ADVERTENCIA:** Este producto y su escape pueden exponerlo a químicos que incluyen plomo y compuestos de plomo, y monóxido de carbono, que se conoce en el Estado de California que causan cáncer y defectos de nacimiento u otros daños reproductivos. Para más información visite [www.P65Warnings.ca.gov](http://www.P65Warnings.ca.gov).

1. No toque el enchufe o el tomacorriente con las manos húmedas.

2. **Evite arranques accidentales.** Mueva el interruptor de la unidad a la posición OFF antes de conectar o desconectar el cable a tomacorrientes eléctricos.
3. El rocío de agua nunca debe dirigirse hacia ningún cableado eléctrico o directamente hacia la máquina de lavado a presión, ya que puede producirse una descarga eléctrica fatal.
4. **Nunca transporte su lavadora a presión por el cable.** No tire del cable para desconectarlo del tomacorriente.
5. Para evitar daños, el cable no debe aplastarse, colocarse junto a objetos afilados o cerca de una fuente de calor.
6. **Verifique los cables de alimentación antes de usar.** Los cables dañados pueden reducir el desempeño de la lavadora a presión o causar una descarga eléctrica fatal.
7. **La corriente de punta estrecha es muy poderosa.** No se recomienda su uso en superficies pintadas, superficies de madera o artículos unidos con un respaldo adhesivo.
8. Mantenga el área de operación libre de personas y animales.
9. Siempre use ambas manos cuando opere la lavadora a presión para mantener el control completo de la varilla.
10. **No toque la boquilla o el rocío de agua mientras esté funcionando.** Nunca coloque las manos delante de la boquilla.
11. **Use gafas de seguridad mientras opera.** Use ropa y calzado de protección para protegerse contra el rocío accidental.
12. Desconecte el enchufe del tomacorriente cuando no esté en uso y antes de desconectar la manguera de alta presión.
13. **Nunca ate nudos ni doble la manguera de alta presión, ya que podría sufrir daños. Revise la manguera de alta presión regularmente. Reemplace la manguera de inmediato si está dañada, desgastada o muestra señales de grietas, burbujas, agujeros u otras fugas.** Nunca agarre una manguera de alta presión que tenga fugas o esté dañada.
14. **No opere ni almacene este producto a temperaturas inferiores a 4 °C.** El daño por congelamiento no está cubierto por la garantía.
15. **Observe cuidadosamente todas las instrucciones y advertencias químicas antes de usar. Utilice sólo lavadoras a presión aprobadas. No use blanqueador, cloro ni ningún limpiador que contenga ácidos. Siga siempre las recomendaciones de la etiqueta del fabricante para el uso adecuado de los limpiadores.** Siempre proteja los ojos, la piel y el sistema respiratorio de los limpiadores.
16. **La lavadora a presión no debe usarse en áreas donde puedan estar presentes vapores de gas.** Una chispa eléctrica puede causar una explosión o incendio.


17. Para minimizar la cantidad de agua que ingresa a la lavadora a presión, la unidad debe colocarse lo más lejos posible del sitio de limpieza durante la operación.
18. Para evitar descargas accidentales, la pistola de rocío se debe asegurar bloqueando el gatillo cuando no esté en uso.
19. Para permitir la libre circulación de aire, la lavadora a presión NO debe cubrirse durante la operación.
20. **Nunca toque, agarre o intente cubrir un agujero de alfiler o una fuga de agua similar en la manguera de alta presión.** La corriente de agua ESTÁ bajo alta presión y penetrará en la piel.
21. **Utilice sólo mangueras y accesorios con una presión superior al valor de psi de su lavadora a presión.** Nunca lo use con accesorios o componentes de ningún otro fabricante.
22. Nunca retire las características de seguridad de este producto.
23. No opere la máquina con partes faltantes, rotas, o no autorizadas.
24. Nunca rocíe líquidos inflamables ni use una lavadora a presión en áreas que contengan polvo combustible, líquidos o vapores.
25. NO use un cable de extensión con esta lavadora a presión.

## PROTECCIÓN CONTRA INTERRUPTORES DE CIRCUITO DE FALLA A TIERRA


Esta lavadora a presión está provista de un interruptor de circuito de falla a tierra (GFCI) integrado en el enchufe del cable de suministro. Este dispositivo proporciona protección adicional contra el riesgo de descarga eléctrica. En caso de que sea necesario reemplazar el enchufe o el cable, use sólo piezas de repuesto idénticas que incluyan protección GFCI.

## CABLES DE EXTENSIÓN


Utilice sólo cables de extensión destinados para uso en exteriores. Estos cables de extensión se identifican con la marca "Aceptable para usar con electrodomésticos para exteriores; almacenar en el interior mientras no esté en uso". Utilice únicamente cables de extensión que tengan una clasificación eléctrica no inferior a la clasificación del producto. No use cables de extensión dañados. Examine el cable de extensión antes de usarlo y reemplácelo si está dañado. No abuse del cable de extensión y no tire de ningún cable para desconectarlo. Mantenga el cable alejado del calor y bordes afilados. Siempre desconecte el cable de extensión del receptáculo antes de desconectar el producto del cable de extensión.


 **ADVERTENCIA:** Para reducir el riesgo de electrocución, mantenga todas las conexiones secas y alejadas del suelo. No toque el enchufe con las manos húmedas.

## SERVICIO DE UN APARATO DE DOBLE AISLAMIENTO


En un producto con doble aislamiento, se proporcionan dos sistemas de aislamiento en lugar de conexión a tierra. No se proporcionan medios de conexión a tierra en un producto con doble aislamiento, ni se deben agregar medios de conexión a tierra al producto. El mantenimiento de un producto con doble aislamiento requiere un cuidado extremo y conocimiento del sistema, y sólo debe ser realizado por personal de servicio calificado. Las partes de repuesto para un producto con doble aislamiento deben ser idénticas a las partes que reemplazan. Un producto con doble aislamiento está marcado con las palabras "DOBLE AISLAMIENTO" o "AISLAMIENTO DOBLE". El símbolo también puede estar marcado en el producto. 

## Información de Seguridad Adicional

 **ADVERTENCIA:** Nunca modifique la herramienta eléctrica o ninguna parte de ella. Podría resultar en daño o lesiones personales.


 **ADVERTENCIA: SIEMPRE** use gafas de seguridad. Las gafas de uso diario NO son gafas de seguridad. También use una careta o máscara de polvo si la operación produce polvo. SIEMPRE USE EQUIPO DE SEGURIDAD CERTIFICADO:


- Protección para los ojos ANSI Z87.1 (CAN/CSA Z94.3),
- Protección auditiva ANSI S12.6 (S3.19),
- Protección respiratoria NIOSH/OSHA/MSHA.

 **ADVERTENCIA:** Algún polvo contiene químicos conocidos por el Estado de California que causan cáncer, defectos de nacimiento u otros daños reproductivos. Algunos ejemplos de estos químicos son:

- compuestos en fertilizantes,
- compuestos en insecticidas, herbicidas y pesticidas,
- arsénico y cromo a partir de madera tratada químicamente.

Para reducir su exposición a estos químicos, use equipo de seguridad aprobado, tal como máscaras de polvo que estén diseñadas específicamente para filtrar partículas microscópicas.

 **ADVERTENCIA:** El uso de esta herramienta puede generar y/o dispersar polvo, que puede causar lesiones respiratorias serias y permanentes u otras lesiones. Siempre use protección respiratoria aprobada por NIOSH/OSHA apropiada para la exposición de polvo. Dirija las partículas lejos de la cara y el cuerpo.

 **ADVERTENCIA: Siempre use protección auditiva personal adecuada que cumpla con ANSI S12.6 (S3.19) durante el uso.** Bajo algunas condiciones y duración de uso, el ruido de este producto puede contribuir con la pérdida auditiva.



- **Las ventilas de aire a menudo cubren las partes móviles y se deben evitar.** La ropa suelta, joyería, o cabello largo podrían quedar atrapados en las partes móviles.
- **Un cable de extensión debe tener un tamaño de cable adecuado (AWG o American Wire Gauge) por seguridad.** Mientras menor es el número de calibre del cable, mayor es la capacidad del cable, es decir, el calibre 16 tiene más capacidad que el calibre 18. Un cable de tamaño inferior causará una caída en el voltaje en línea que resulta en una pérdida de energía y sobrecalentamiento. Cuando use más de una extensión para completar la longitud total, asegúrese que cada extensión individual contenga al menos el tamaño mínimo de cable. La siguiente tabla muestra el tamaño correcto a usar dependiendo de la longitud del cable y la clasificación de amperes de la placa de identificación. Si tiene duda, use el calibre más pesado siguiente. Cuanto menor sea el número de calibre, más pesado será el cable.

Calibre mínimo para juegos de cable

Voltios	Longitud total de cable en pies (metros)				
	120 V	25 (7.6)	50 (15.2)	100 (30.5)	150 (45.7)
240 V	50 (15.2)	100 (30.5)	200 (61.0)	300 (91.4)	
Clasificación de amperes	American Wire Gauge				
0	6	18	16	16	14
6	10	18	16	14	12
10	12	16	16	14	12
12	16	14	12	No recomendado	

La etiqueta de su herramienta puede incluir los siguientes símbolos. A continuación se indican los símbolos y sus definiciones:

- V ..... voltios
- Hz ..... hertz
- min ..... minutos
- or DC..... direct current
- Ⓢ ..... Construcción de Clase I (tierra)
- ... /min..... por minuto
- BPM ..... golpes por minuto
- IPM ..... impactos por minuto
- RPM ..... revoluciones por minuto
- sfpm ..... pies de superficie por minuto
- SPM ..... pasadas por minuto
- OPM..... oscilaciones por minuto
- A ..... amperios
- W ..... vatios
- ~ or AC..... corriente alterna
- ⎓ or AC/DC... corriente alterna o directa
- Ⓜ ..... Construcción de Clase II (doble aislamiento)
- n<sub>0</sub> ..... velocidad sin carga
- IPXX ..... símbolo IP
- n ..... velocidad nominal
- ⊕ ..... terminal de conexión a tierra
- ⚠ ..... símbolo de advertencia de seguridad
- ☠ ..... radiación visible
- ☎ ..... protección respiratoria
- 👁 ..... protección ocular
- 👂 ..... protección auditiva
- 📖 ..... lea toda la documentación

## Motor

Asegúrese de que la fuente de energía concuerde con lo que se indica en la placa. Un descenso en el voltaje de más del 10% producirá una pérdida de potencia y sobrecalentamiento. Todas las herramientas son probadas en fábrica; si esta herramienta no funciona, verifique el suministro eléctrico.

## Uso Pretendido

Esta lavadora a presión está diseñada para limpiar botes, automóviles, cubiertas, entradas de vehículos, parrillas, revestimientos de casas, motocicletas, patios y muebles de exterior.

**NO** permita que niños estén en contacto con la herramienta. Se requiere supervisión cuando operadores sin experiencia operen esta herramienta.

## MONTAJE Y AJUSTES

**⚠ ADVERTENCIA: Para reducir el riesgo de lesiones personales, apague la unidad y desconéctela de la fuente de energía antes de realizar cualquier ajuste o retirar/instalar conexiones o accesorios.** Una activación de arranque accidental puede causar lesiones.

### Especificaciones

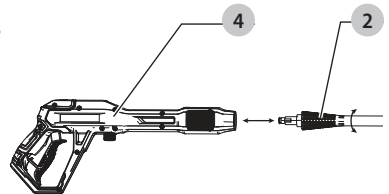
Libras por pulgada cuadrada máximas	1 700
Galones por minuto nominales*	1,2
Requerimientos eléctricos	120VCA ~60Hz, 13A
Cable eléctrico	35 pies (10.6 m)
Manguera de alta presión	20 pies (6.1 m)
Fuente de amps mínimos	15A
Presión de agua de entrada*	20-100 PSI
Agua de entrada	Agua de llave fría
Tasa de consumo de jabón	10% MÁX

\*Las clasificaciones de flujo y presión máxima de agua se determinan de acuerdo con CETA CPC-100.

## Conexión de varilla de rocío (Fig. B)

Para conectar la varilla de rocío 2 a la manija de rocío 4, inserte el extremo de la varilla de rocío dentro de la manija de rocío y gire la varilla de rocío en sentido contrario a las manecillas del reloj en posición.

Fig. B





## Conexión de manguera de alta presión (Fig. C, D)

**AVISO:** Nunca jale la manguera de alta presión para mover la lavadora a presión. Esto podría dañar la manguera y/o la salida de la bomba.

Para conectar la manguera de alta presión **1** a la manija de rocío **4**, atornille el collar de la manguera **14** sobre el acoplador de entrada de la manija de rocío **15**.

Para conectar la manguera de alta presión a la unidad de lavadora a presión **8**, atornille el collar de la manguera **14** en la salida de agua de alta presión **16**.

Fig. C

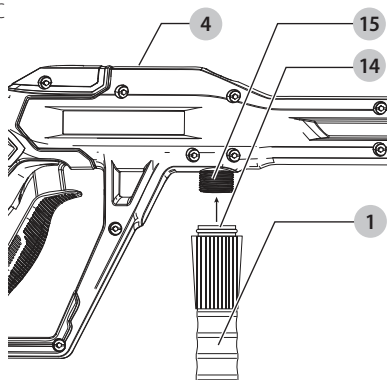
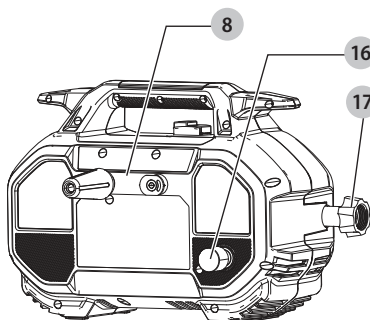


Fig. D



## Conexión de manguera de jardín (Fig. A, D)

Para conectar una manguera de jardín a la unidad de lavadora a presión **8**, coloque el extremo de la manguera de jardín dentro de la entrada de agua **17**. Apriete la manguera de jardín a mano.

Siempre desconecte la manguera de jardín después del uso.

**NOTA:** Antes de conectar la manguera de jardín a la unidad de lavado a presión, haga correr agua por la manguera de jardín durante treinta segundos para limpiar cualquier residuo de la boca de la manguera de jardín.

## Conexión de boquillas (Fig. E)

**! PELIGRO:** Riesgo de inyección de fluido. No dirija la corriente de descarga hacia personas, piel desprotegida, ojos o mascotas o animales. Se producirán lesiones graves.

**! ADVERTENCIA:** Los objetos voladores pueden causar riesgos de lesiones graves. NO intente cambiar las boquillas mientras la lavadora a presión está funcionando. Apague la unidad de lavado a presión antes de cambiar las boquillas.

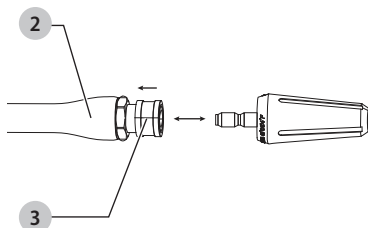
Para conectar la boquilla blanca de 40° o la boquilla turbo negra a la varilla de rocío **2**, jale el collar de conexión rápida **3** hacia la varilla de rocío e inserte la boquilla adecuada.

Suelte el collar de conexión rápida para bloquear la boquilla en su lugar.

Para garantizar que la boquilla esté bloqueada en su lugar, dé un tirón firme después que el collar de conexión rápida se haya bloqueado en su lugar.

Boquilla de rocío	Aplicación
Boquilla blanca de 40°	Para limpieza de área amplia suave.
Boquilla Turbo negra	Para limpieza abrasiva.

Fig. E



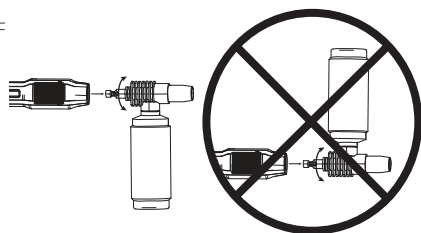
## Conexión de botella de jabón (Fig. F)

Para conectar la botella de jabón **13** a la manija de rocío **2**, inserte el extremo de la botella de jabón dentro de la manija de rocío y gire la botella de jabón en sentido contrario a las manecillas del reloj para bloquearla en posición.

**NOTA:** La varilla y la boquilla de jabón no se puede instalar al mismo tiempo.

**NOTA:** La botella de jabón debe colocarse debajo del barril de la manija de rocío. No coloque la botella de jabón sobre el cañón de la pistola de plástico, ya que esto provocará goteo de jabón en el cañón.

Fig. F



## OPERACIÓN

**⚠️ ADVERTENCIA:** Para reducir el riesgo de lesiones personales, apague la unidad y desconéctela de la fuente de energía antes de realizar cualquier ajuste o retirar/instalar conexiones o accesorios. Una activación de arranque accidental puede causar lesiones.

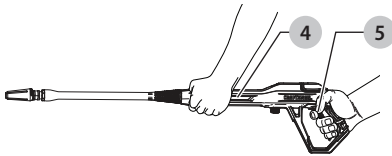
### Posición Adecuada de las Manos (Fig. G)

**⚠️ ADVERTENCIA:** Para reducir el riesgo de lesión personal grave, tenga **SIEMPRE** las manos en una posición adecuada como se muestra.

**⚠️ ADVERTENCIA:** Para reducir el riesgo de lesión personal grave, sujete **SIEMPRE** bien en caso de que haya una reacción repentina.

La posición de manos adecuada requiere una mano en la agarradera de la manija de rocío **5** y la otra mano sobre la manija de rocío **4**.

Fig. G



## Pruebe el interruptor de circuito de falla a tierra (GFCI) antes de cada uso

Esta lavadora a presión está provista de un interruptor de circuito de falla a tierra (GFCI) integrado en el enchufe del cable de suministro. Este dispositivo proporciona protección adicional contra el riesgo de descarga eléctrica.

1. Conecte el interruptor de circuito de falla a tierra (GFCI) en un tomacorriente conectado a tierra.
2. El indicador en la parte superior del GFCI debe volverse verde cuando el producto está listo para usar.
3. Presione el botón "TEST" (inferior). El indicador verde debería desaparecer.
4. Presione el botón "RESET" para usar. No lo use si la prueba anterior falla.

## Lavado a presión

### Preparación de superficie para limpieza

- Retire los objetos del área que puedan crear un peligro, como juguetes para niños o muebles de exterior.
- Asegúrese que todas las puertas y ventanas estén bien cerradas. Proteja todas las plantas y árboles en el área adyacente con una tela protectora para asegurarse que no se vean perjudicados por el rociado excesivo.
- Enjuague previamente el área de limpieza con agua fresca.
- Use sólo detergentes formulados para lavadoras a presión.
- Siempre pruebe el detergente en un área discreta antes de usar.

### Preparación de la unidad de lavado a presión para su uso (Fig. A)

**⚠️ PELIGRO:** Riesgo de inyección de fluidos y laceración. Cuando utilice la configuración de alta presión, NO permita que el rocío de alta presión entre en contacto con la piel, los ojos o las mascotas o animales sin protección. Se producirán lesiones graves.

**⚠️ ATENCIÓN:** Antes de la operación:

- Conecte el suministro de agua a la lavadora a presión. Para obtener instrucciones sobre cómo conectar el suministro de agua a la lavadora a presión, consulte **Conexión de manguera de jardín en Ensamble y ajustes**.
- Conecte la manguera de alta presión a la lavadora a presión y la barra de presión. Para obtener instrucciones sobre cómo conectar la manguera de alta presión a la lavadora a presión y la varilla de presión, consulte **Conexión de la manguera de alta presión en Ensamble y ajustes**.

### Preparación de manija de rocío

**IMPORTANTE:** Antes de encender la unidad de lavado a presión, desactive el bloqueo del gatillo en apagado **6** y apriete el gatillo **7**. Mantenga presionado el gatillo durante 30 segundos para purgar el sistema de aire. Si todavía se encuentra aire en la corriente de agua, continúe haciendo correr agua a través de la manija de rocío.

1. Desconecte el bloqueo de gatillo en apagado **6**.
2. Apriete el gatillo **7**.

### Limpieza de una superficie

- Para encender la lavadora a presión, presione el botón de Encendido **9**.
- El mejor ángulo para rociar agua contra una superficie de limpieza es 45°. Rociar de forma frontal tiende a causar que las partículas de suciedad se incrusten en la superficie. Cuando trabaje en superficies verticales, es mejor aplicar detergente comenzando en la parte inferior y hacia arriba, lo que evitará que el detergente se deslice hacia abajo y produzca rayas.

Para desenganchar conectar la manija de rocío, suelte el gatillo.

**NOTA:** La presión excesiva de la bomba puede ser el resultado de una boquilla o un acoplamiento de latón obstruidos. Apague siempre la unidad de lavado a presión y desconecte la unidad antes de intentar desatascar una boquilla o un acoplador de latón.

### Transporte de lavadora a presión (Fig. A)

1. Apague la unidad de lavado a presión **8** y cierre el suministro de agua.
2. Apunte la varilla de rocío **2** en una dirección segura y apriete el gatillo **7** para liberar la presión de agua restante.
3. Cuando la varilla de rocío esté completamente vacía, transporte la lavadora a presión por la manija **11**.

## Paro (Fig. A)

1. Para detener la lavadora a presión, presione el botón de apagado **10** y desconecte el cable del tomacorriente.
2. Cierre la llave del agua.
3. Descargue la presión residual apretando el gatillo **7** hasta que no salga más agua de la varilla de rocío **2**.
4. Coloque el bloqueo en apagado de la manija de rocío **6**.
5. Desconecte la manguera de jardín de la toma de agua **17**.
6. Desconecte la manguera de alta presión **1** de la salida de agua de alta presión **16** y la manguera de drenaje.

## MANTENIMIENTO



**ADVERTENCIA:** Para reducir el riesgo de lesiones personales, apague la unidad y desconéctela de la fuente de energía antes de realizar cualquier ajuste o retirar/instalar conexiones o accesorios.

*Una activación de arranque accidental puede causar lesiones.*

## Limpeza



**ADVERTENCIA:** Sople la suciedad y el polvo de todos los conductos de ventilación con aire seco, al menos una vez por semana. Para reducir el riesgo de lesiones, utilice siempre protección para los ojos aprobada ANSI Z87.1 al realizar esta tarea.



**ADVERTENCIA:** Nunca utilice solventes ni otros químicos abrasivos para limpiar las piezas no metálicas de la herramienta. Estos productos químicos pueden debilitar los materiales plásticos utilizados en estas piezas. Utilice un paño humedecido sólo con agua y jabón neutro. Nunca permita que penetre líquido dentro de la herramienta ni sumerja ninguna de las piezas en un líquido.

## Boquilla (Fig. A)

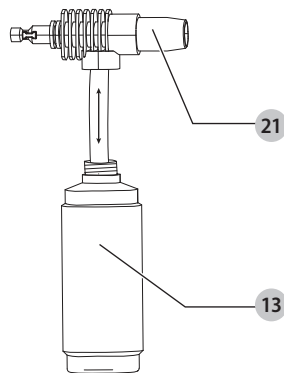
Si la boquilla se obstruye con materiales extraños, como suciedad, se puede desarrollar una presión excesiva. Si la boquilla se obstruye o restringe parcialmente, la presión de la bomba pulsará. Limpie la boquilla inmediatamente con el limpiador de boquillas.

1. Apague la unidad de lavado a presión **8** y cierre el suministro de agua.
2. Apriete el gatillo **7** de la manija de rocío **4** para aliviar la presión del agua.
3. Retire la boquilla de la varilla de rocío **2** jalando el collar de conexión rápida **3** hacia la varilla de rocío.
4. Con la herramienta de limpieza de la boquilla de rocío, desatasque cualquier residuo de la boquilla.
5. Deje correr el agua de un grifo o manguera de jardín por la boquilla.

## Botella de jabón (Fig. A, H)

Retire la botella de jabón **13** de la manija de rocío **4** girando la botella de jabón en sentido contrario a las manecillas del reloj y sacándola de la manija de rocío. Desenrosque el aplicador de la botella de jabón **21**. Enjuague y vacíe la botella de jabón **13** por completo.

Fig. H



## Almacenamiento (Fig. I, J)

- Antes de mover la lavadora a presión para almacenarla, consulte **Transporte de lavadora a presión** en **Operación**.
- Almacene en un lugar seco y cubierto arriba de la temperatura de congelación. **ALMACENE EN INTERIORES**.
- Siempre vacíe completamente el agua de la manguera de alta presión, la unidad de la lavadora a presión, la varilla de rocío, las boquillas, la botella de jabón y la manija de la varilla de presión.
- La boquilla blanca de 40° **18** y la boquilla turbo **19** se pueden almacenar en la parte posterior de la unidad de lavado a presión **8**.
- Envuelva el cable alrededor del Almacenamiento del cable de energía **20**.

Fig. I

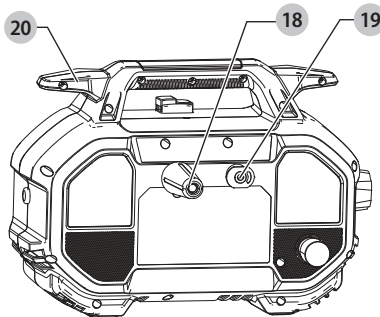
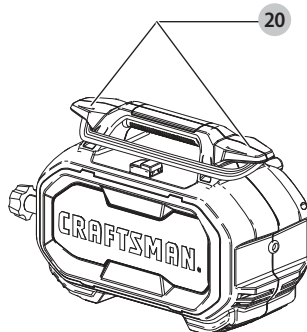


Fig. J



## Accesorios



**ADVERTENCIA:** Debido a que no se han probado con este producto otros accesorios que no sean los que ofrece CRAFTSMAN, el uso de dichos accesorios con esta herramienta podría ser peligroso. Para reducir el riesgo de lesiones, con este producto deben usarse sólo los accesorios recomendados por CRAFTSMAN.

Los accesorios que se recomiendan para utilizar con la herramienta están disponibles a un costo adicional en su distribuidor local o en un centro de mantenimiento autorizado. Si necesita ayuda para localizar algún accesorio, póngase en contacto con CRAFTSMAN, llame al 1-888-331-4569.

## Reparaciones



**ADVERTENCIA:** Para asegurar la **SEGURIDAD** y la **CONFIABILIDAD** del producto, las reparaciones, el mantenimiento y los ajustes (inclusive la inspección y el cambio de las escobillas, cuando proceda) deben ser realizados en un centro de mantenimiento en la fábrica CRAFTSMAN u en un centro de mantenimiento autorizado CRAFTSMAN. Utilice siempre piezas de repuesto idénticas.

**Para reparación y servicio de sus herramientas eléctricas, favor de dirigirse al Centro de Servicio más cercano**

### CULIACAN, SIN

Bldv. Emiliano Zapata 5400-1 Poniente Col. (667) 717 89 99  
San Rafael

### GUADALAJARA, JAL

Av. La Paz #1779 - Col. Americana Sector (33) 3825 6978  
Juárez

### MEXICO, D.F.

Eje Central Lázaro Cárdenas No. 18 - Local (55) 5588 9377  
D. Col. Obrera

### MERIDA, YUC

Calle 63 #459-A - Col. Centro (999) 928 5038

### MONTERREY, N.L.

Av. Francisco I. Madero 831 Poniente - Col. (818) 375 23 13  
Centro

### PUEBLA, PUE

17 Norte #205 - Col. Centro (222) 246 3714

### QUERETARO, QRO

Av. San Roque 274 - Col. San Gregorio (442) 2 17 63 14

### SAN LUIS POTOSI, SLP

Av. Universidad 1525 - Col. San Luis (444) 814 2383

### TORREON, COAH

Bldv. Independencia, 96 Pte. - Col. Centro (871) 716 5265

### VERACRUZ, VER

Prolongación Díaz Mirón #4280 - Col. (229) 921 7016  
Remes

### VILLAHERMOSA, TAB

Constitución 516-A - Col. Centro (993) 312 5111

## PARA OTRAS LOCALIDADES:

**Si se encuentra en México, por favor llame al (55) 5326 7100**

**Si se encuentra en U.S., por favor llame al 1-888-331-4569**

## Póliza de Garantía

IDENTIFICACIÓN DEL PRODUCTO:

Sello o firma del Distribuidor.

Nombre del producto: \_\_\_\_\_

Mod./Cat.: \_\_\_\_\_

Marca: \_\_\_\_\_

Núm. de serie: \_\_\_\_\_

(Datos para ser llenados por el distribuidor)

Fecha de compra y/o entrega del producto: \_\_\_\_\_

Nombre y domicilio del distribuidor donde se adquirió el producto: \_\_\_\_\_

Este producto está garantizado por un año a partir de la fecha de entrega, contra cualquier defecto en su funcionamiento, así como en materiales y mano de obra empleados para su fabricación. Nuestra garantía incluye la reparación o reposición del producto y/o componentes sin cargo alguno para el cliente, incluyendo mano de obra, así como los gastos de transportación razonablemente erogados derivados del cumplimiento de este certificado. Para hacer efectiva esta garantía deberá presentar su herramienta y esta póliza sellada por el establecimiento comercial donde se adquirió el producto, de no contar con ésta, bastará la factura de compra.

## Excepciones

Esta garantía no será válida en los siguientes casos:

- Cuando el producto se hubiese utilizado en condiciones distintas a las normales;
- Cuando el producto no hubiese sido operado de acuerdo con el instructivo de uso que se acompaña;
- Cuando el producto hubiese sido alterado o reparado por personas distintas a las enlistadas al final de este certificado.

Anexo encontrará una relación de sucursales de servicio de fábrica, centros de servicio autorizados y franquiciados en la República Mexicana, donde podrá hacer efectiva su garantía y adquirir partes, refacciones y accesorios originales.

Solamente para propósito de México:

Importado por: Craftsman. Tool Co. S.A. de C.V.  
Avenida Antonio Dovali Jaime, # 70 Torre B Piso 9  
Colonia La Fe, Santa Fé  
Código Postal : 01210  
Delegación Alvaro Obregón  
México D.F.  
Tel. (52) 555-326-7100  
R.F.C.: BDE810626-1W7

## Registro en Línea

Gracias por su compra. Registre su producto ahora para:

- **SERVICIO EN GARANTÍA:** Si completa esta tarjeta, podrá obtener un servicio en garantía más eficiente, en caso de que exista un problema con su producto.
- **CONFIRMACIÓN DE PROPIEDAD:** En caso de una pérdida que cubra el seguro, como un incendio, una inundación o un robo, el registro de propiedad servirá como comprobante de compra.
- **PARA SU SEGURIDAD:** Si registra el producto, podremos comunicarnos con usted en el caso improbable que se deba enviar una notificación de seguridad conforme a la Federal Consumer Safety Act (Ley Federal de Seguridad de Productos para el Consumidor).
- Registro en línea en [www.craftsman.com/registration](http://www.craftsman.com/registration).

## Garantía Limitada por Tres Años

CRAFTSMAN reparará o reemplazará, sin cargo, cualquier defecto debido a materiales o mano de obra defectuosos por tres años desde la fecha de compra. Esta garantía no cubre falla de partes debido al desgaste normal o abuso de la herramienta. Para detalles adicionales de la cobertura de la garantía e información de reparación de garantía, visite [www.craftsman.com](http://www.craftsman.com) o llame al **1-888-331-4569**.

Esta garantía no se aplica a accesorios o daño causado cuando otros hayan realizado o intentado reparaciones. ESTA GARANTÍA LIMITADA SE OTORGA EN LUGAR DE TODAS LAS DEMÁS, INCLUIDA LA GARANTÍA IMPLÍCITA DE COMERCIABILIDAD E IDONEIDAD PARA UN PROPÓSITO EN PARTICULAR, Y EXCLUYE TODOS LOS DAÑOS INCIDENTALES O EN CONSECUENCIA. Algunos estados no permiten limitaciones sobre la duración de una garantía implícita o la exclusión o limitación de daños incidentales o en consecuencia, por lo que estas limitaciones pueden no aplicarse en su caso. Esta garantía le da derechos legales específicos y puede tener otros derechos que varían en ciertos estados o provincias

### GARANTÍA DE REEMBOLSO DE SU DINERO POR 90 DÍAS

Si no está completamente satisfecho con el desempeño de su máquina herramienta o clavadora CRAFTSMAN, cualquiera sea el motivo, podrá devolverlo hasta 90 días de la fecha de compra con su recibo y obtener el reembolso completo de su dinero – sin necesidad de responder a ninguna pregunta.

**AMÉRICA LATINA:** Esta garantía no se aplica a los productos que se venden en América Latina. Para los productos que se venden en América Latina, debe consultar la información de la garantía específica del país que viene en el empaque, llamar a la compañía local o visitar el sitio Web a fin de obtener esa información.

### REEMPLAZO GRATUITO DE LAS ETIQUETAS DE

**ADVERTENCIAS:** Si sus etiquetas de advertencia se vuelven ilegibles o faltan, llame al **1-888-331-4569** para que se le reemplacen gratuitamente.

## SOLUCIÓN DE PROBLEMAS



**ADVERTENCIA: Riesgo de Operación Insegura. Antes de dar servicio a la unidad, desconéctela o desconecte el suministro eléctrico, cierre el suministro de agua, descargue la presión residual, y conecte el bloqueo en apagado de la manija de rocío.**

PROBLEMA	CAUSA	CORRECCIÓN
El motor no arranca.	La unidad no está conectada.	Conecte el cable eléctrico.
	El interruptor ON/OFF está en la posición OFF (apagado).	Gire el interruptor a la posición "ON" (encendido).
	No se puede apretar el gatillo de la varilla.	Apriete el gatillo con el interruptor en la posición "ON".
	GFCI activado.	Presione el botón de restablecimiento en el GFCI en el extremo del enchufe del cable.
La unidad no alcanza alta presión.	La llave de agua no está completamente abierta.	Abra la válvula de agua completamente.
	Filtro de entrada de agua obstruido.	Retire el filtro y enjuague para limpiar.
	Boquilla desgastada.	Póngase en contacto con el representante de servicio al cliente CRAFTSMAN al 1-888-331-4569.
	La bomba succiona aire.	Revise que las mangueras y accesorios sean herméticos. Apague la máquina y purgue la bomba apretando el gatillo hasta que salga un flujo estable de agua de la boquilla.
La presión de salida varía entre alta/baja.	Suministro de agua restringido.	Revise la manguera de agua respecto a torceduras, fugas y bloqueo.
	No hay suficiente suministro de agua de entrada.	Abra el agua en fuerza completa - revise la manguera respecto a fugas y torceduras.
	La bomba succiona aire.	Revise que las mangueras y accesorios sean herméticos. Apague la máquina y purgue la bomba apretando el gatillo hasta que salga un flujo estable de agua de la boquilla.
	Pantalla de entrada de agua obstruida.	Para desbloquear, enjuague con agua.
No hay detergente.	La boquilla de descarga está obstruida.	Purgue o retire los derechos.
	El contenedor de detergente está vacío.	Agregue más detergente.
	Botella de detergente o tubo de succión no conectados adecuadamente.	Revise las conexiones.
	El detergente es demasiado espeso.	Use el detergente recomendado para uso en lavadores a presión únicamente.
	El filtro en el tubo de succión de detergente está obstruido.	Pase agua tibia a través del filtro para retirar los desechos.
	Tubo de succión de detergente dañado u obstruido.	Retire la obstrucción o reemplace el tubo de succión de detergente.
Fuga de la conexión de la manguera de jardín.	La boquilla de descarga está obstruida.	Purgue o retire los derechos.
	Accesorios sueltos.	Apriete los accesorios.
Fugas de varilla de rocío o extensión.	Arandela de plástico faltante/desgastada.	Reemplace la arandela en el adaptador de la manguera.
	Varilla de rocío no conectada adecuadamente.	Inserte la varilla de rocío en la extensión de la varilla. Presione y gire para bloquear la varilla de rocío en su lugar.
Fuga de agua de la bomba.	Anillo O roto.	Póngase en contacto con el representante de servicio al cliente CRAFTSMAN al 1-888-331-4569.
	La bomba es excesivamente ruidosa.	La bomba succiona aire.
Fuga de agua de la bomba.	Accesorios sueltos.	Revise que los accesorios estén apretados.
	Sellos de agua dañados o desgastados.	Póngase en contacto con el representante de servicio al cliente CRAFTSMAN al 1-888-331-4569.
Fugas de aceite.	Sellos de aceite dañados o desgastados.	Póngase en contacto con el representante de servicio al cliente CRAFTSMAN al 1-888-331-4569.
El motor zumba pero no opera.	Voltaje de suministro debajo del mínimo.	Verifique que sólo la lavadora a presión funcione en este circuito.
	El sistema tiene presión residual.	Apague la unidad, presione el gatillo en la varilla de rocío para liberar la presión, y encienda la unidad.
	Pérdida de voltaje debida a cable de extensión.	No use el cable de extensión con esta unidad - conecte directamente al tomacorriente.
	Lavadora no usada por periodos prolongados.	Póngase en contacto con el representante de servicio al cliente CRAFTSMAN al 1-888-331-4569.



